



WILDEN®

AIR OPERATED DOUBLE DIAPHRAGM PUMPS

A **DOVER** RESOURCES COMPANY

PX20 Metal Pump

FLOW RATE TO 320 GPM (1211.0 LPM)
 MAXIMUM OPERATING PRESSURE = 125 PSI (8.6 BAR)

Specifications

WETTED HOUSINGS (Water Chambers and Manifolds)

MATERIAL SHIP WT.
 Ductile Iron 492 lbs. (223 kg.)

NON-WETTED HOUSINGS

DESCRIPTION MATERIAL
 Center Block Aluminum

Air Valve Aluminum

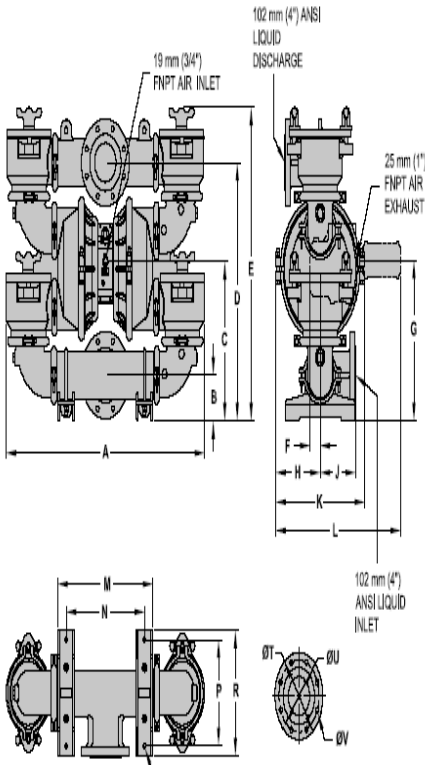
MAXIMUM SUCTION LIFT CAPABILITY

DRY LIFT
 4.3 M
 The above figure represents the rubber-fitted pump capability.

MAXIMUM DIAMETER SOLIDS
 1 3/8" (35 mm) Diameter

ELASTOMER OPTIONS

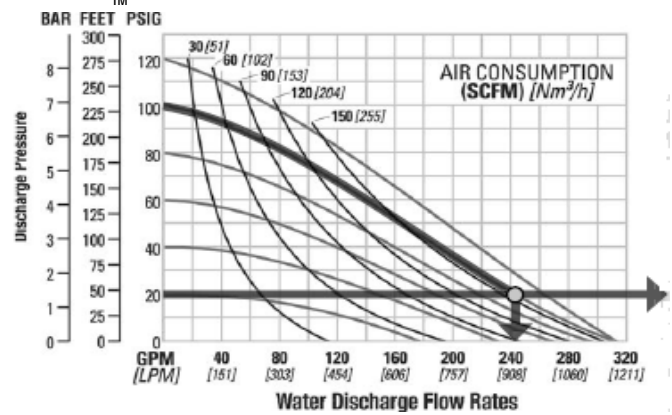
MATERIAL	TEMPERATURE LIMITS
Polyurethane	+10 (-12.2) to +150 (65.6) F° (C°)
Nordel®	-60 (-51.1) to +280 (137.8) F° (C°)
Viton®	-40 (-40.0) to +350 (176.7) F° (C°)
Saniflex™	-20 (-28.9) to +220 (104.4) F° (C°)
Teflon® PTFE	+40 (4.4) to +220 (104.4) F° (C°)
Wil-Flex™	-40 (-40.0) to +225 (107.2) F° (C°)



DIMENSIONS

ITEM	METRIC (mm)	STANDARD (inch)
A	950	37.4
B	119	4.7
C	419	16.5
D	681	26.8
E	826	32.5
F	48	1.9
G	424	16.7
H	213	8.4
J	170	6.7
K	424	16.7
L	597	23.5
M	455	17.9
N	376	14.8
P	279	11
R	333	13.1
ANSI FLANGE		
S	15 DIA.	0.6
T	231 DIA.	9.1 DIA.
U	191 DIA.	7.5 DIA.

TPE FITTED PX20 METAL PUMP



® RUBBER® -FITTED PX20 METAL PUMP

