

P200 ADVANCED™ METAL PUMP

25 mm (1") Pump
Maximum Flow Rate:
213.5 LPM (56.4 GPM)



PUMP DATA

Specifications:

Height: 290 mm (11.4")
Width: 363 mm (14.3")
Depth: 229 mm (9.0")
Air Inlet: 6 mm (1/4" FNPT)
Liquid Inlet: 25 mm (1")
Liquid Outlet: 25 mm (1")

Wetted Material:

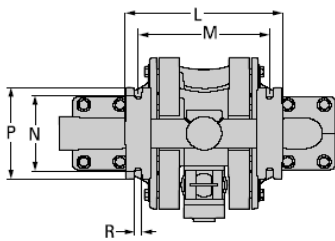
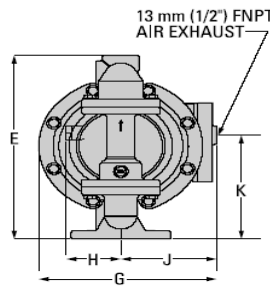
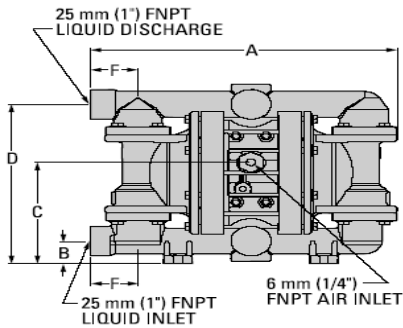
Aluminum: 11 kg (24 lbs)
Ductile Iron: 21 kg (47 lbs)
Stainless Steel: 23 kg (51 lbs)

Temperature Limits:

Nylon -17.8°C to 93.3°C 0°F to 200°F
Neoprene -17.8°C to 93.3°C 0°F to 200°F
Buna-N -12.2°C to 82.2°C 10°F to 180°F
Nordel® -51.1°C to 137.8°C -60°F to 280°F
Viton® -40°C to 176.7°C -40°F to 350°F
Wil-Flex™ -40°C to 107.2°C -40°F to 225°F
Polyurethane 12.2°C to 65.6°C 10°F to 150°F
Saniflex™ -28.9°C to 104.4°C -20°F to 220°F
PTFE -28.9°C to 148.9°C -20°F to 300°F

PERFORMANCE

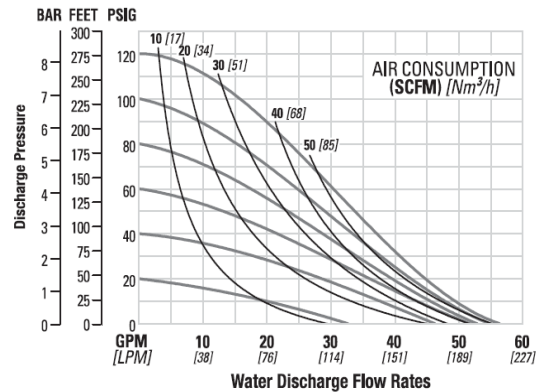
Max. Flow: Rubber/TPE 213.5 lpm (56.4 gpm)
PTFE 168.1 lpm (44.4 gpm)
Max. Pressure: 8.6 bar (125 psig)
Max. Solids Passage: 6.4 mm (1/4")
Max. Suction Lift (wet): Rubber/TPE 9.3 m (30.6")
PTFE 9.3 m (30.6")
(dry): Rubber/TPE 5.4 m (17.6")
PTFE 3.5 m (11.4")



DIMENSIONS

ITEM	METRIC (mm)	STANDARD (inch)
A	378	14.9
B	69	2.7
C	196	7.7
D	290	11.4
E	343	13.5
F	71	2.8
G	229	9.0
H	71	2.8
J	122	4.8
K	196	7.7
L	208	8.2
M	173	6.8
N	104	4.1
P	127	5.0
R	10	0.4
	DIN (mm)	ANSI (inch)
S	85 DIA.	3.1 DIA.
T	115 DIA.	4.3 DIA.
U	14 DIA.	0.6 DIA.

RUBBER FITTED



PTFE FITTED

