

H800 HIGH PRESSURE PUMP

H800 HIGH PRESSURE METAL PUMP

51 mm (2") Pump
Maximum Flow Rate:
360 LPM (95 GPM)



PUMP DATA

Specifications:

Height: 759 mm (29.9")
 Width: 490 mm (19.3")
 Depth: 546 mm (21.5")
 Air Inlet: 19 mm (3/4" FNPT)
 Liquid Inlet: 51 mm (2")
 Liquid Outlet: 51 mm (2")

Wetted Material:

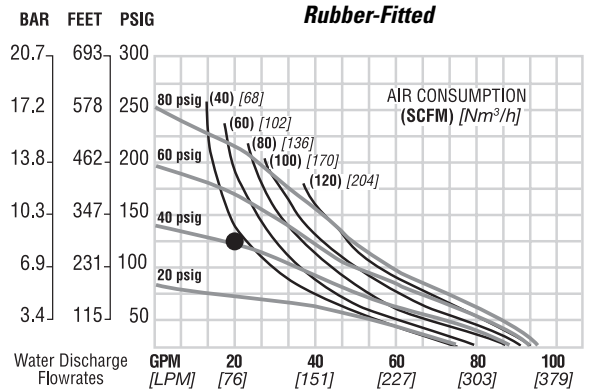
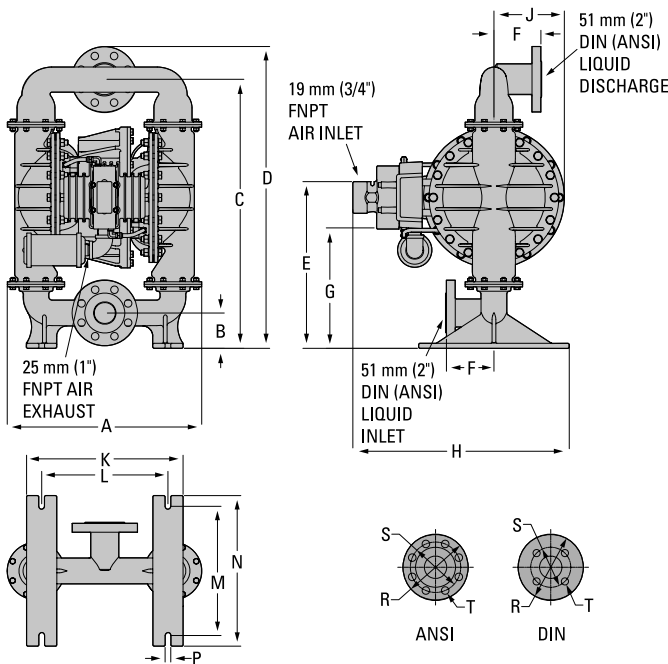
316L Stainless Steel: 183 kg (283 lbs)
 Ductile Iron: 183 kg (283 lbs)

Temperature Limits:

Nylon -17.8°C to 93.3°C 0°F to 200°F
 Neoprene -17.8°C to 93.3°C 0°F to 200°F
 Buna-N -12.2°C to 82.2°C 10°F to 180°F
 Nordel® -51.1°C to 137.8°C -60°F to 280°F
 Viton® -40°C to 176.7°C -40°F to 350°F
 Wil-Flex™ -40°C to 107.2°C -40°F to 225°F
 Polyurethane 12.2°C to 65.6°C 10°F to 150°F
 Saniflex™ -28.9°C to 104.4°C -20°F to 220°F
 PTFE -28.9°C to 148.9°C -20°F to 300°F

PERFORMANCE

Max. Flow: TPE 360 lpm (95 gpm)
 Max. Pressure: 5.9 bar (85 psig)
 Max. Solids Passage: 12.7 mm (1/2")
 Max. Suction Lift (wet): TPE 9.0 m (29.5')
 (dry): TPE 3.7 m (12.0')



ITEM	METRIC (mm)	STANDARD (inch)	ITEM	METRIC (mm)	STANDARD (inch)
A	490	19.3	K	394	15.5
B	89	3.5	L	318	12.5
C	678	26.7	M	325	12.8
D	759	29.9	N	378	14.9
E	419	16.5	P	15	0.6
F	119	4.7		DIN (mm)	ANSI (inch)
G	302	11.9	R	165 DIA.	6.58 DIA.
H	546	21.5	S	125 DIA.	5.0 DIA.
J	178	7.0	T	18 DIA.	0.8 DIA.