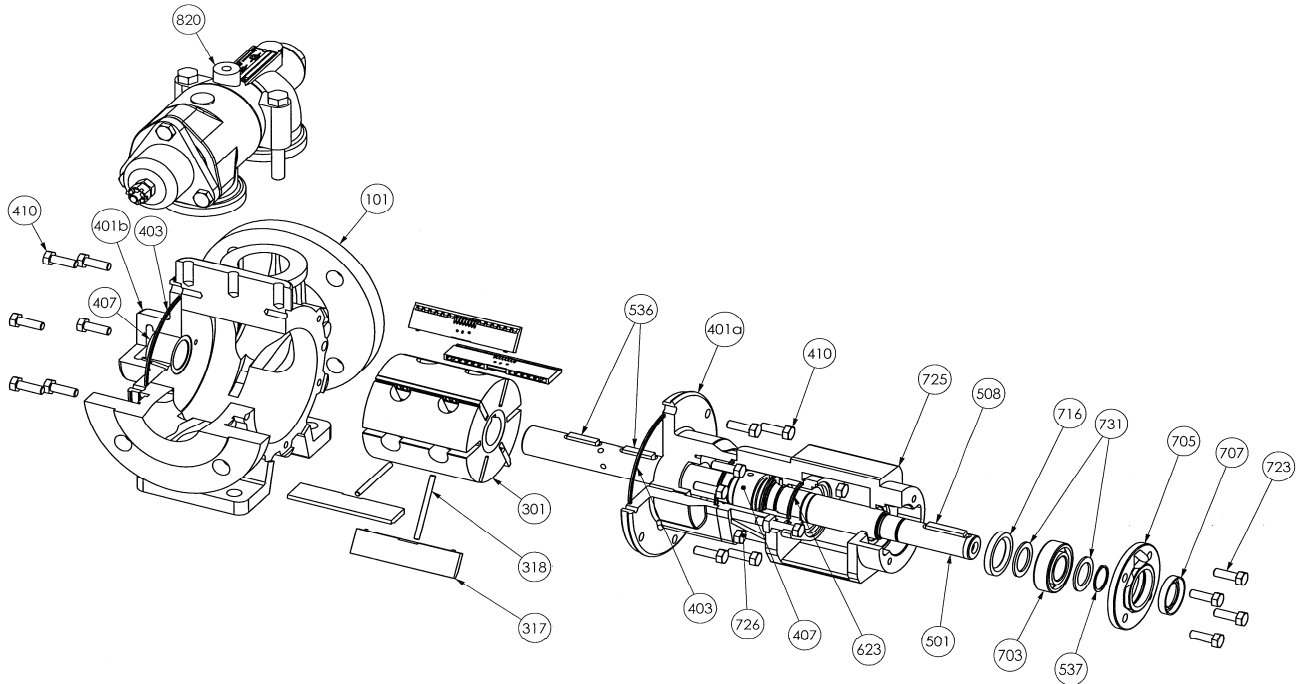
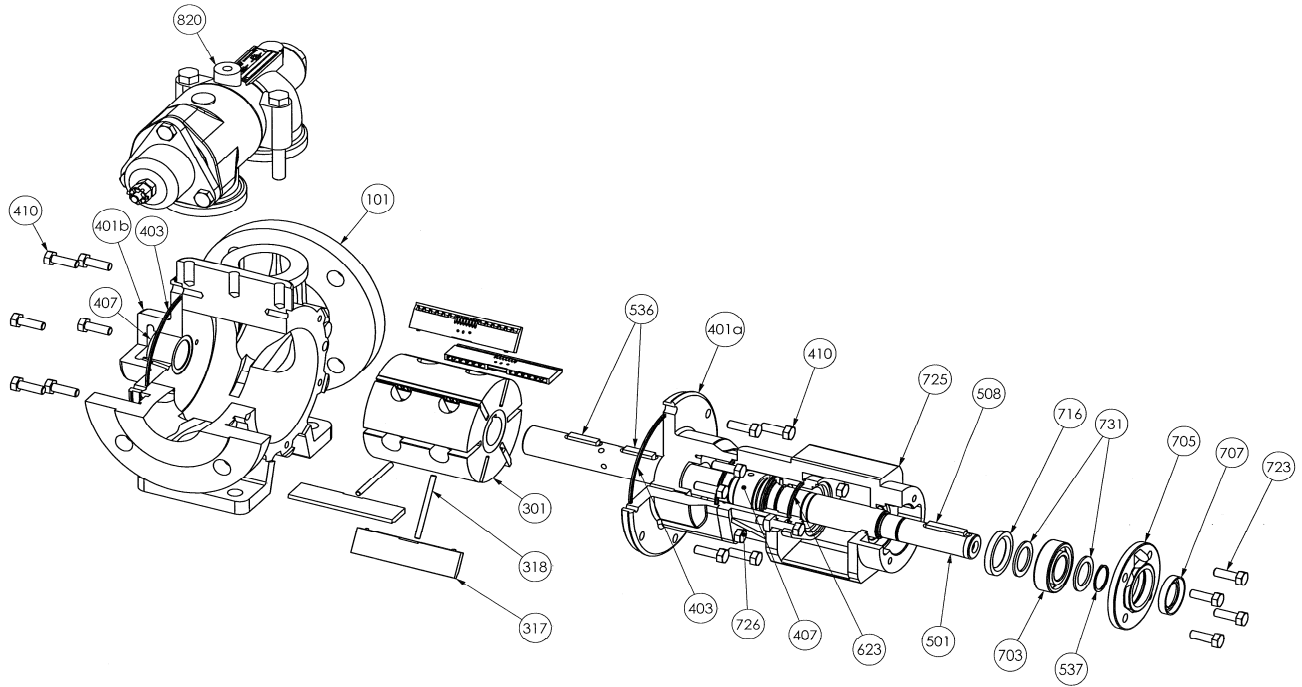


(See Instructions **1008-C00** for Installation, Operation and Maintenance)

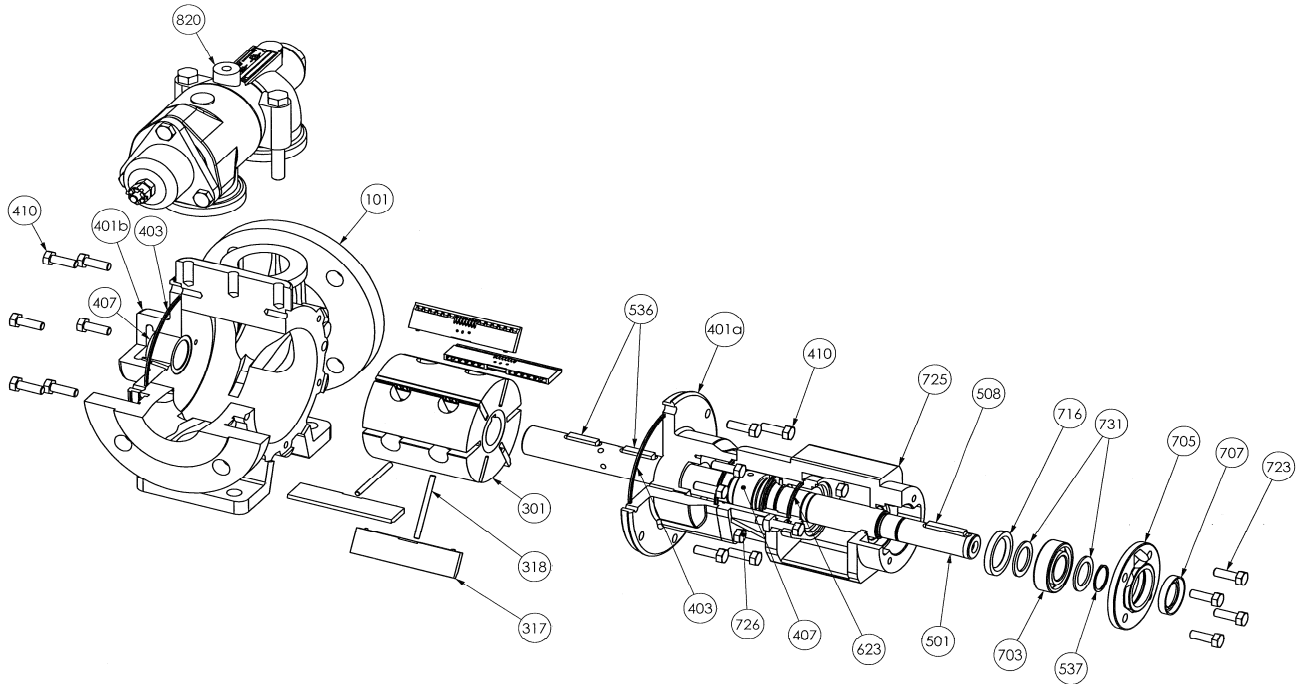
Section	1008
Effective	March 2010
Replaces	February 2010



Reference			Description	Quantity		ARTICLE CODE		Wear parts
Ass.	Part	Available		In Pump	In set	P40 BA	P60 BA	
98		◆	Full set of pump screws	1		314095.00	307299.00	
98		◆	Full set of jacketed pump screws	1		308792.00		
	410		Screw		(8)			
	411		Screw (except standard P40)		(4)			
	642		Screw		(2)			
	723		Screw		(4)			
	726		Screw		(6)			
	729		Screw		(2)			
	730		Nut		(2)			
98		◆	Full set of outboard bearing screws	1		312886.00		
	410		Screw		(12)			
	636		Stirrup shaftseal holder		(2)			
	723		Screw		(4)			
	726		Screw		(4)			
	729		Screw		(2)			
99		◆	FOR STANDARD PUMP :	1				
99		◆	Set of pump seals - FKM	1		314092.01	314107.00	•
99		◆	Set of pump seals - CVT	1		314097.01	314108.00	•
99		◆	Set of pump seals - FKM HT	1		314093.01	314110.00	•
	403		Seal		(2)			
	602		Seal		(2)			
	707		Lip seal		(1)			
	716		Lip seal		(1)			
	727		Outboard bearing seal		(1)			
99		◆	FOR JACKETED PUMP :	1				
99		◆	Set of pump seals - FKM	1		314361.00	314378.00	•
99		◆	Set of pump seals - CVT	1		314363.00	314380.00	•
99		◆	Set of pump seals - FKM HT	1		312774.00	312885.00	•
	403		Seal		(2)			
	537		Circlip		(1)			
	623		Seal (P40 only)		(1)			
	707		Lip seal		(1)			
	716		Lip seal		(1)			
	101	▲	Body chromium plating	1		211303	211684	
	101	▲	Body no chromium plating	1		211502	211669	
	301	▲	6 vanes rotor	1		220279	220313	
	301	▲	12 vanes rotor	1		211503	211670	



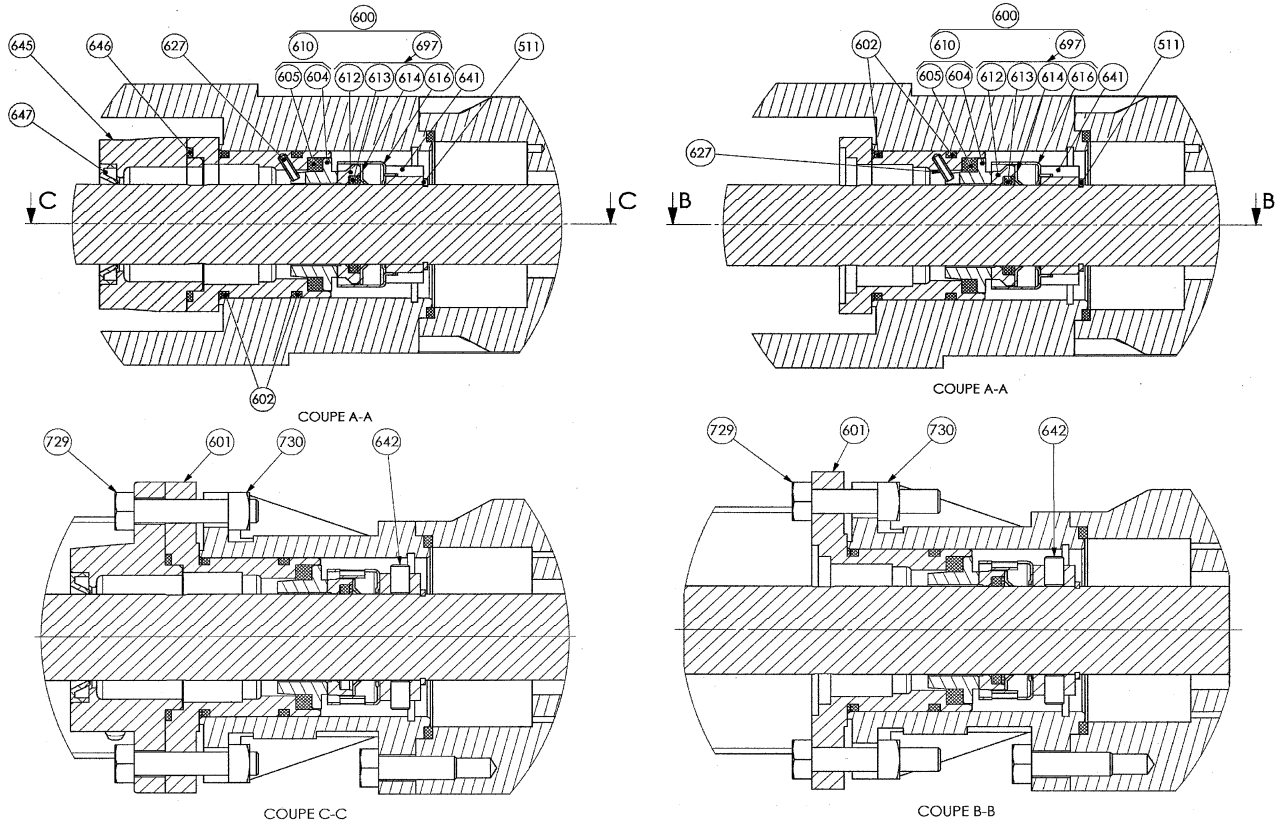
Reference			Description	Quantity		ARTICLE CODE		Wear parts
Ass.	Part	Available		In Pump	In set	P40 BA	P60 BA	
309		◆	Set of 6 vanes TVP	1		313380.00	313354.00	•
309		◆	Set of 6 vanes TVP TR	1		313381.00	313377.00	•
309		◆	Set of 6 steel vanes	1		314094.00	314106.00	•
309		◆	Set of 6 bronze vanes	1		314210.00	314212.00	•
309		◆	Set of 6 bronze TR vanes	1		314359.00	314360.00	•
309		◆	Set of 12 vanes TVP	1		307788.00	307677.00	•
309		◆	Set of 12 vanes TVP TR	1		307787.00	307678.00	•
309		◆	Set of 12 steel vanes	1		310975.00	310976.00	•
	317		Vane		(6/12)			
325		◆	Set of 6 pushrods (steel vanes & TVP)	1		307085.00	307202.00	•
325		◆	Set of 3 pushrods (steel vanes & TVP)	1		312767.00	312879.00	•
325		◆	Set of 3 pushrods (bronze vanes)	1		314211.00	314213.00	•
	318		Pushrod		(3/6)			
FRONT COVER COMPLETE FOR STANDARD PUMP :								
400		◆	Standard version	1		307080.01	314279.00	•
400		◆	Standard version - Enlarged clearance	1		312440.02	314292.00	•
400		◆	HT version	1		314269.00	314111.00	•
400		◆	HT version - Enlarged clearance	1		314274.00	314112.00	•
	401A		Front cover long		(1)			
	401B		Front cover short		(1)			
	407		Front cover bushing		(2)			
	410		Screw		(12)			
FOR JACKETED PUMP :								
FRONT COVER COMPLETE FOR FABRIC :								
400		◆	Standard version	1		314271.00	314296.00	•
400		◆	Standard version - Enlarged clearance	1		312768.00	314294.00	•
400		◆	HT version	1		314273.00	314278.00	•
400		◆	HT version - Enlarged clearance	1		314276.00	312880.00	•
FRONT COVER COMPLETE FOR MECHANICAL SEAL :								
400		◆	Standard version	1		314270.00	314295.00	•
400		◆	Standard version - Enlarged clearance	1		312769.00	314293.00	•
400		◆	HT version	1		314272.00	314277.00	•
400		◆	HT version - Enlarged clearance	1		314275.00	314293.00	•
	401A		Front cover long		(1)			
	401B		Front cover short		(1)			
	407		Front cover bushing		(2)			
	410		Screw		(12)			
	438		Screw (P60 only)		(1)			
	439		Seal (P60 only)		(1)			
	650		Plug (314293.00 only)		(2)			
	651		Plug (314293.00 only)		(2)			
	1003		Plug		(1)			
409		◆	Set of front cover o-rings - FKM	1		304373.00	304382.01	•
409		◆	Set of front cover o-rings - CVT	1		309321.00	312096.00	•
409		◆	Set of front cover o-rings - FKM HT	1		307098.00	305081.00	•
	403		Seal		(2)			



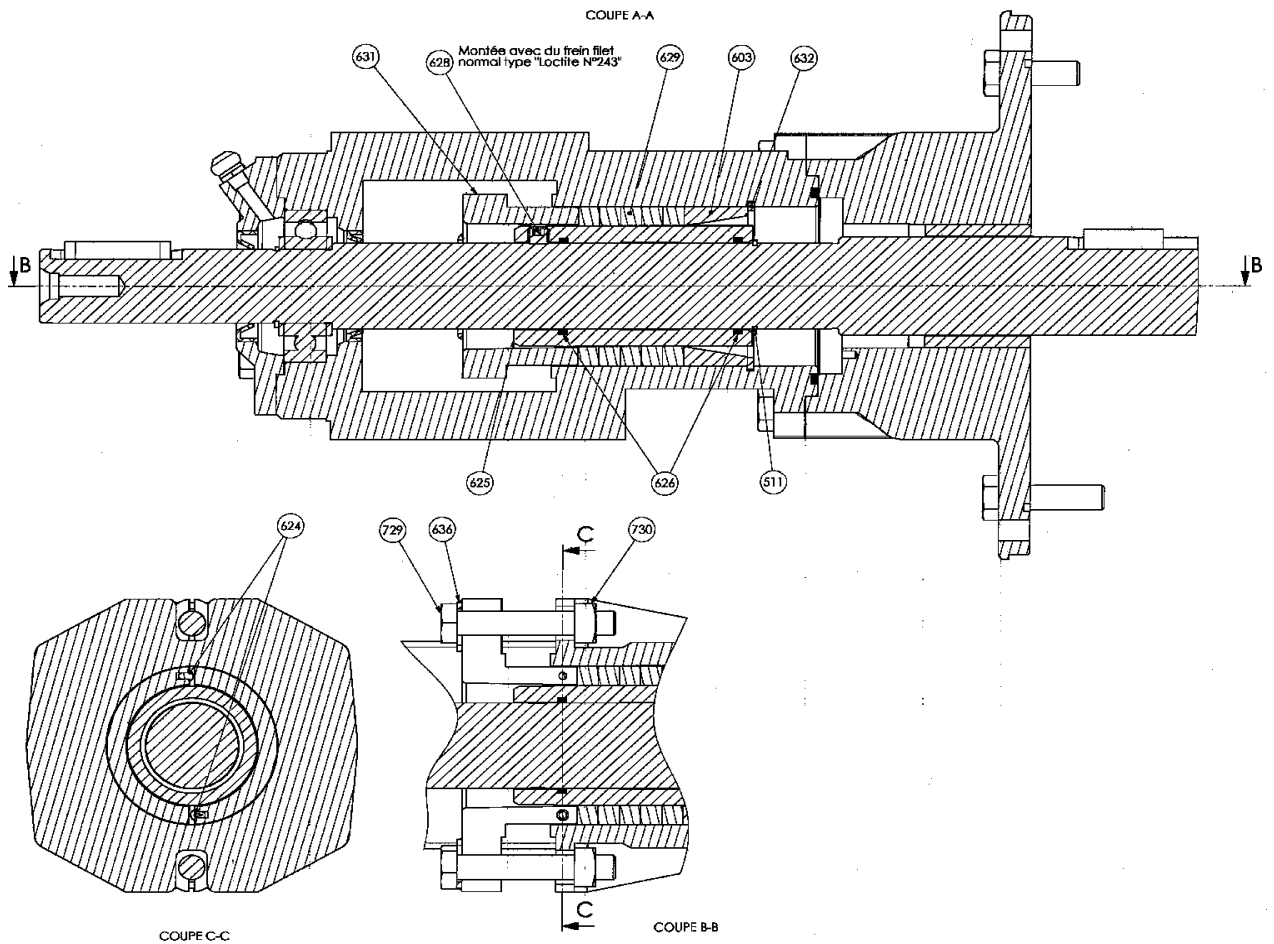
Reference			Description	Quantity		ARTICLE CODE		Wear parts
Ass.	Part	Available		In Pump	In set	P40 BA	P60 BA	
420		◆	Set of carbon bushings - Standard version	1		314368.00	314113.00	•
420		◆	Set of carbon bushings - Standard version - Enlarged clearance	1		314369.00	312887.00	•
420		◆	Set of carbon bushings - HT version	1		314098.00	307801.00	•
420		◆	Set of carbon bushings - HT version - Enlarged clearance	1		314099.00	312464.01	•
	407		Front cover bushing		(2)			
	408		Front cover insert (P60 - HT version only)		(2)			
500		◆	FOR STANDARD PUMP (all mechanical seals and gland packing) and JACKETED PUMP (gland packing) :	1		308868.01	307219.01	
500		◆	Shaft complete for 6 vanes pump with pushrods	1		314089.00	314115.00	
500		◆	Shaft complete for 12 vanes pump with pushrods	1		307083.01	307221.01	
500		◆	FOR JACKETED PUMP (except gland packing) :	1		314290.00	314300.00	
500		◆	Shaft complete for 6 or 12 vanes pump without pushrods	1		312936.00	312949.00	
500		◆	Shaft complete for 12 vanes pump with pushrods	1		314291.00	314301.00	
	501		Shaft		(1)			
	599		Set of keys		(1)			
599		◆	FOR STANDARD PUMP :	1		307091.00	307220.00	
599		◆	Set of keys - Pump without pushrods	1		307092.00	307092.00	
599		◆	FOR JACKETED PUMP :	1		307091.00	307220.00	
599		◆	Set of keys - Fabric pump without pushrods	1		307092.00	307092.00	
	508		Key		(1)			
	536		Key (Qty : 2 for 307092.00)		(1)			
	537		Circlip		(1)			
704		◆	Ball bearing kit	1		307792.00		
	537		Circlip		(1)			
	703		Ball bearing		(1)			
	731		Roller bearing support washer		(2)			
740		◆	Cover complete	1		307702.00		
	705		Bearing cover		(1)			
	707		Lip seal		(1)			
	708		Grease nipple		(1)			
	723		Screw		(4)			

WITH GREASE CONTAINER

WITHOUT GREASE CONTAINER



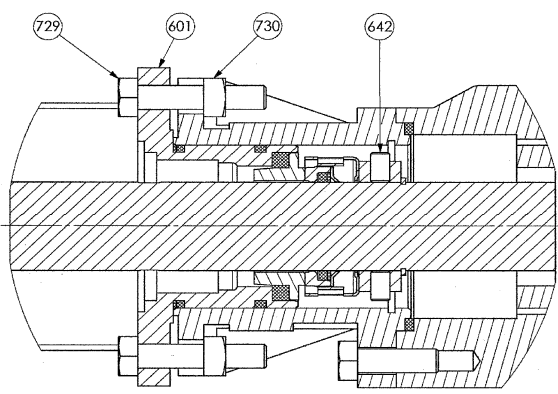
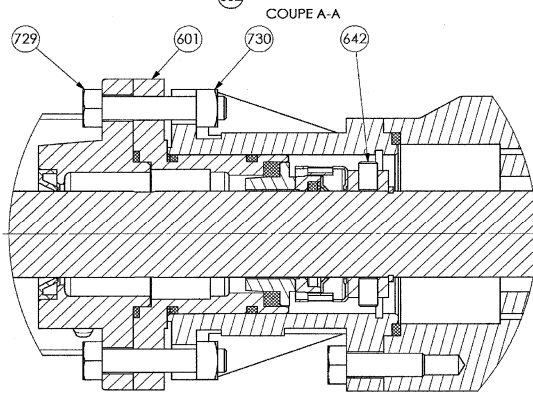
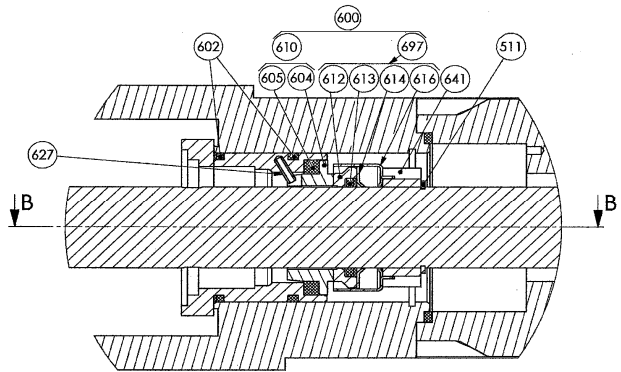
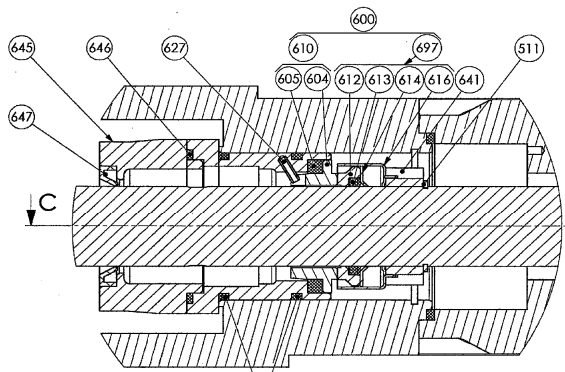
Reference			Description	Quantity		ARTICLE CODE		Wear parts
Ass.	Part	Available		In Pump	In set	P40 BA	P60 BA	
600		◆	Mechanical seal - Bloccdir C/I VT	1		300639.00		•
600		◆	Mechanical seal - Bloccdir C/I CVT	1		307549.00		•
600		◆	Mechanical seal - Bloccdir B/I VT	1		300648.00		•
600		◆	Mechanical seal - Bloccdir B/I CVT	1		306317.00		•
600		◆	Mechanical seal - Bloccdir B/I VT HT	1		307135.00		•
600		◆	Mechanical seal - Bloccdir CT/CT VT	1		303333.00		•
600		◆	Mechanical seal - Bloccdir CT/CT CVT	1		307550.00		•
600		◆	Mechanical seal - Bloccdir CT/CT VT HT	1		307136.00		•
	610	◆	Stationary seal face - Bloccdir C/I VT	1		300722.00		•
	610	◆	Stationary seal face - Bloccdir C/I CVT	1		304608.00		•
	610	◆	Stationary seal face - Bloccdir B/I VT	1		300726.00		•
	610	◆	Stationary seal face - Bloccdir B/I CVT	1		304609.00		•
	610	◆	Stationary seal face - Bloccdir B/I VT HT	1		307137.00		•
	610	◆	Stationary seal face - Bloccdir CT/CT VT	1		303331.00		•
	610	◆	Stationary seal face - Bloccdir CT/CT CVT	1		306125.00		•
	610	◆	Stationary seal face - Bloccdir CT/CT VT HT	1		307139.00		•
	604		Stationary seal face		(1)			
	605		Seal		(1)			
	697	◆	Rotating part - Bloccdir C/I VT	1		300640.00		•
	697	◆	Rotating part - Bloccdir C/I CVT	1		304617.00		•
	697	◆	Rotating part - Bloccdir B/I VT	1		300640.00		•
	697	◆	Rotating part - Bloccdir B/I CVT	1		304617.00		•
	697	◆	Rotating part - Bloccdir B/I VT HT	1		304675.00		•
	697	◆	Rotating part - Bloccdir CT/CT VT	1		303332.00		•
	697	◆	Rotating part - Bloccdir CT/CT CVT	1		306126.00		•
	697	◆	Rotating part - Bloccdir CT/CT VT HT	1		307140.00		•
	612		Seal housing		(1)			
	613		Seal		(1)			
	614		Spring guide		(1)			
	615		Spring		(1)			
	616		Cage		(1)			
699		◆	Set of mechanical seal seals - FKM	1		307789.00		•
699		◆	Set of mechanical seal seals C/I and CT/CT - CVT	1		308959.00		•
699		◆	Set of mechanical seal seals B/I - CVT	1		305356.00		•
699		◆	Set of mechanical seal seals - FKM HT	1		307790.00		•
	605		Stationary seal face seal		(1)			
	613		Seal housing seal		(1)			
	619		Bushing (305356.00 only)		(1)			
	704		Ring (305356.00 only)		(1)			



Reference			Description	Quantity		ARTICLE CODE		Wear parts
Ass.	Part	Available		In Pump	In set	P40 BA	P60 BA	
FOR STANDARD PUMP :								
609		◆	Set Graphite gland packing - FKM	1		307857.00		
609		◆	Set Graphite gland packing - FKM HT	1		307867.00		
609		◆	Set PTFE gland packing - FKM	1		309693.00		
609		◆	Set PTFE gland packing - CVT	1		312479.00		
609		◆	Set PTFE gland packing - FKM HT	1		312478.00		
	511		Circlip		(1)			
	603		Shaftseal seat		(1)			
	624		Pin		(2)			
	625		Jacket		(1)			
	626		Seal		(2)			
	628		Screw		(3)			
	629		Fabric		(5)			
	631		Ram		(1)			
	632		Circlip (gland packing)		(1)			
	636		Stirrup shaftseal holder		(2)			
	729		Screw		(2)			
	730		Nut		(2)			
FOR JACKETED PUMP :								
609		◆	Set Graphite gland packing - FKM - FKM HT	1		314289.00	314289.00	
609		◆	Set PTFE gland packing - FKM - CVT - FKM HT	1		312771.00	312883.00	
	624		Pin		(2)			
	629		Fabric		(5)			
	631		Ram		(1)			
	636		Stirrup		(2)			
	729		Screw		(2)			
699A		◆	Set of gland packing seals and screws - FKM	1		308579.00		•
699A		◆	Set of gland packing seals and screws - CVT	1		312144.00		•
699A		◆	Set of gland packing seals and screws - FKM HT	1		308584.00		•
	511		Circlip		(1)			
	626		Seal		(2)			
	628		Screw		(3)			
	632		Circlip (gland packing)		(1)			
	636		Stirrup shaftseal holder		(2)			
	729		Screw		(2)			
	730		Nut		(2)			

WITH GREASE CONTAINER

WITHOUT GREASE CONTAINER



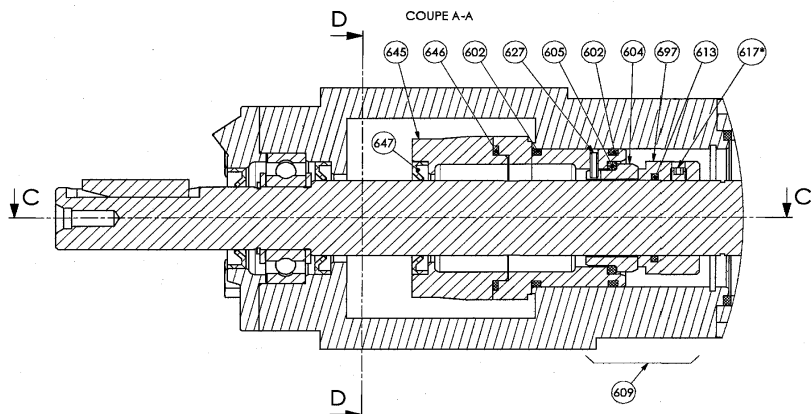
COUPE C-C

COUPE B-B

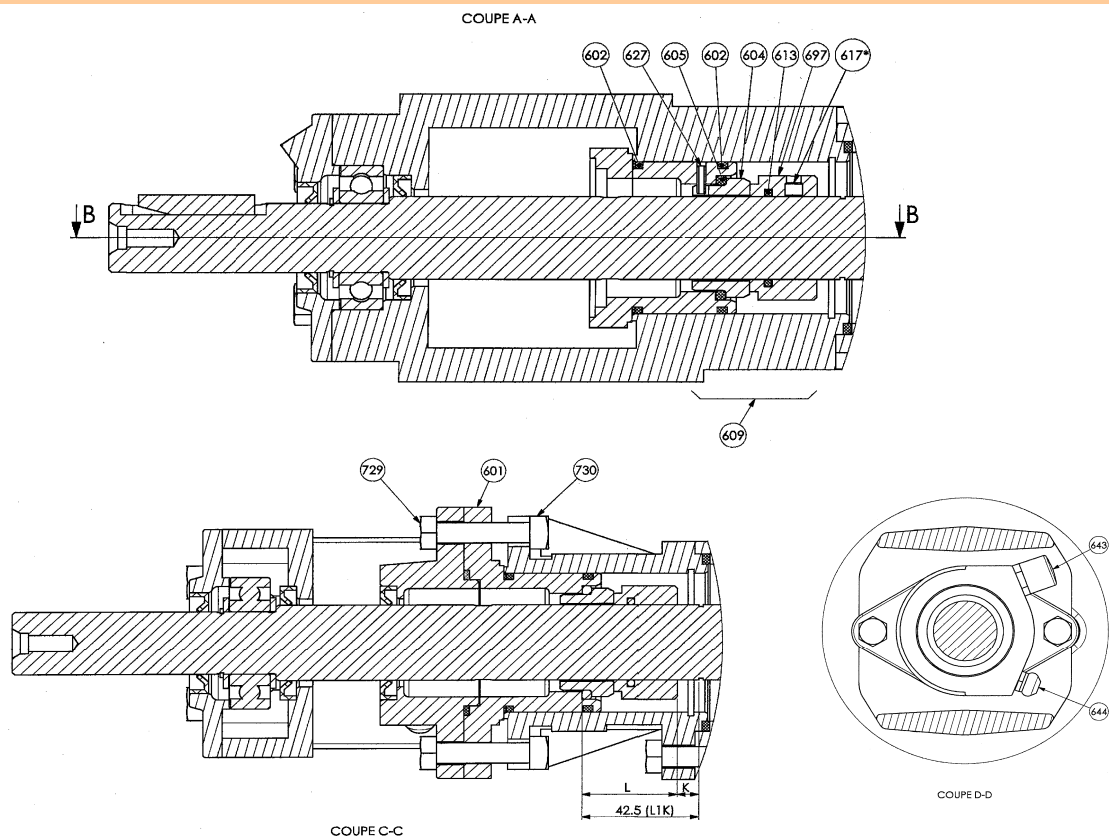
Reference			Description	Quantity		ARTICLE CODE		Wear parts
Ass.	Part	Available		In Pump	In set	P40 BA	P60 BA	
640		◆	Reservoir grease complete	1		307099.00		
	643		Snifter valve		(1)			
	644		Grease nipple		(1)			
	645		Cover		(1)			
	646		Seal		(1)			
	647		Lip seal		(1)			
			FOR STANDARD PUMP :					
609		◆	Bloddir Shaftseal holder complete - FKM	1		307778.00		
609		◆	Bloddir Shaftseal holder complete - CVT	1		312375.01		
609		◆	Bloddir Shaftseal holder complete - FKM HT	1		307779.00		
	511		Circlip		(1)			
	601		Shaftseal holder		(1)			
	602		Seal		(2)			
	627		Pin		(1)			
	641		Mechanical seal driver		(1)			
	642		Screw		(2)			
	729		Screw		(2)			
	730		Nut		(2)			

STANDARD PUMP

WITH GREASE CONTAINER

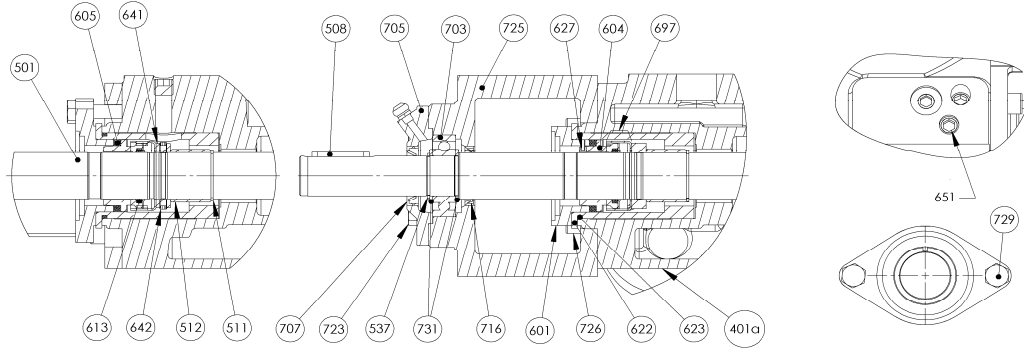


WITHOUT GREASE CONTAINER

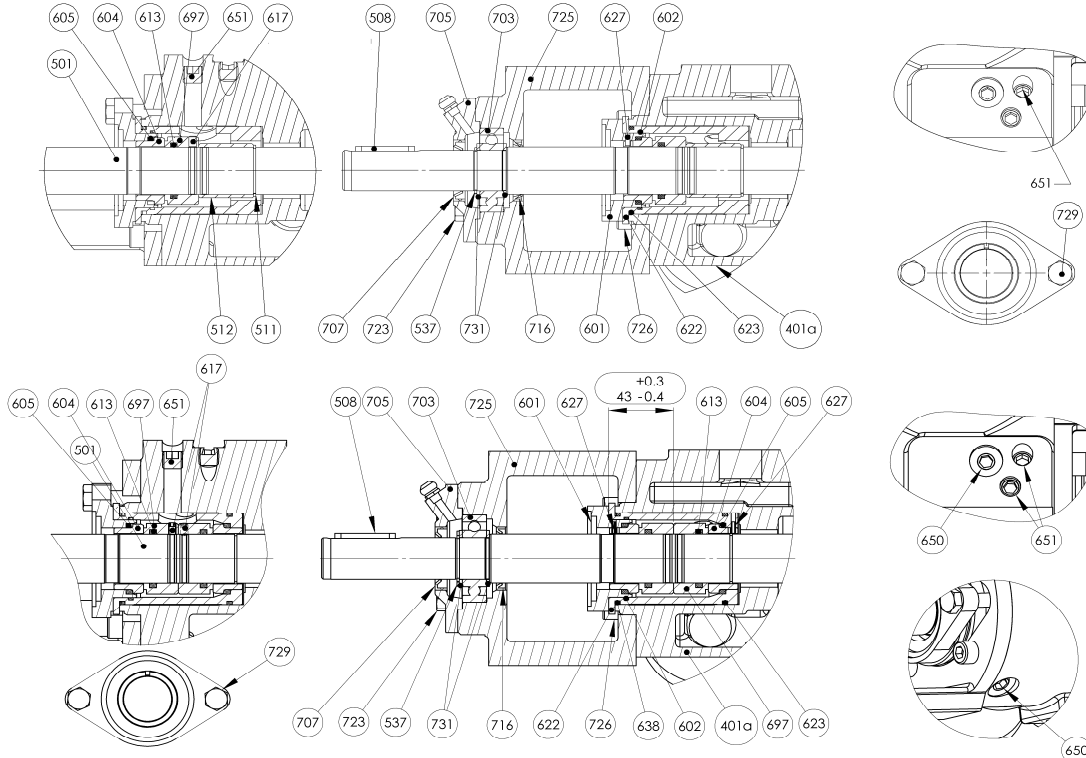


Reference			Description	Quantity		ARTICLE CODE		Wear parts
Ass.	Part	Available		In Pump	In set	P40 BA	P60 BA	
609		◆	PGSN Shaftseal holder complete - FKM	1			307811.00	
609		◆	PGSN Shaftseal holder complete - CVT	1			312448.00	
609		◆	PGSN Shaftseal holder complete - FKM HT	1			307812.00	
	511		Circlip		(1)			
	601		Shaftseal holder		(1)			
	602		Seal		(2)			
	627		Pin		(1)			
	729		Screw		(2)			
	730		Nut		(2)			
609		◆	PGDN Shaftseal holder complete - FKM	1			307860.00	
609		◆	PGDN Shaftseal holder complete - CVT	1			312449.01	
609		◆	PGDN Shaftseal holder complete - FKM HT	1			307861.00	
	601		Shaftseal holder		(1)			
	602		Seal		(2)			
	603		Shaftseal seat		(1)			
	608		Pin		(1)			
	627		Pin		(2)			
	729		Screw		(2)			
	730		Nut		(2)			

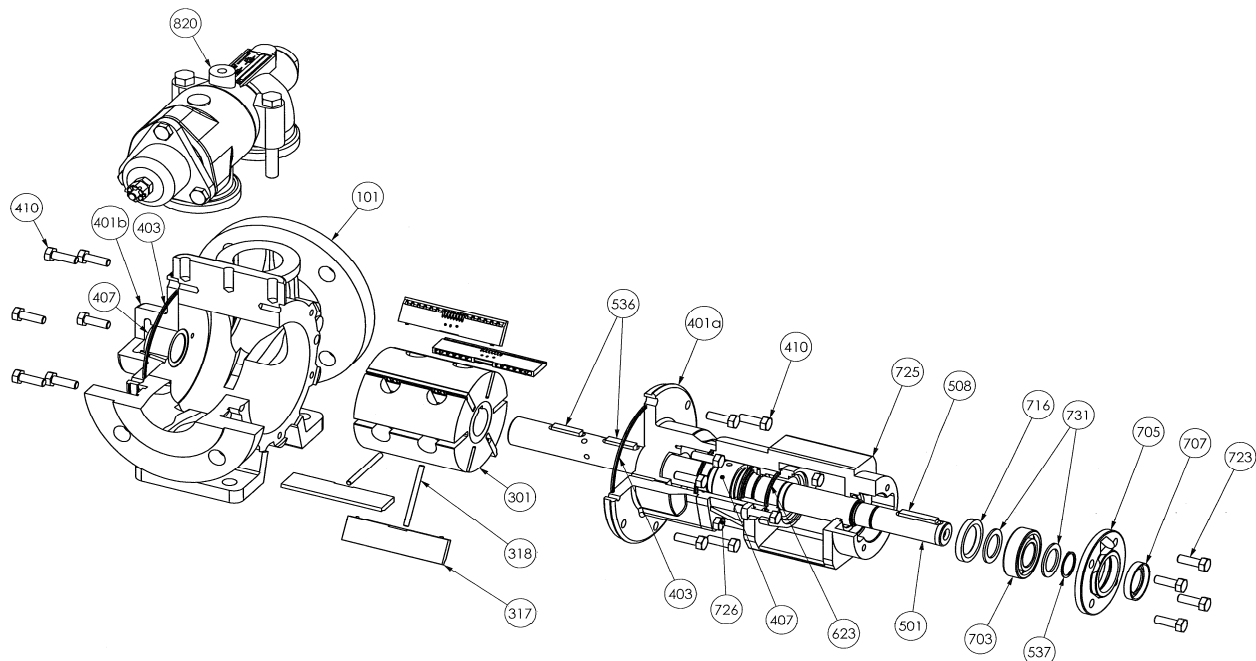
JACKETED PUMP



Reference			Description	Quantity		ARTICLE CODE		Wear parts
Ass.	Part	Available		In Pump	In set	P40 BA	P60 BA	
609		◆	Bloddir Shaftseal holder complete - FKM	1		314286.00	314297.00	
609		◆	Bloddir Shaftseal holder complete - CVT	1		314287.00	314298.00	
609		◆	Bloddir Shaftseal holder complete - FKM HT	1		313460.00	313460.00	
	511		Circlip		(1)			
	512		Spacer		(1)			
	601		Shaftseal holder		(1)			
	622		Jacket		(1)			
	623		Seal		(1)			
	627		Pin		(1)			
	641		Mechanical seal driver		(1)			
	642		Screw		(2)			
	729		Screw		(2)			



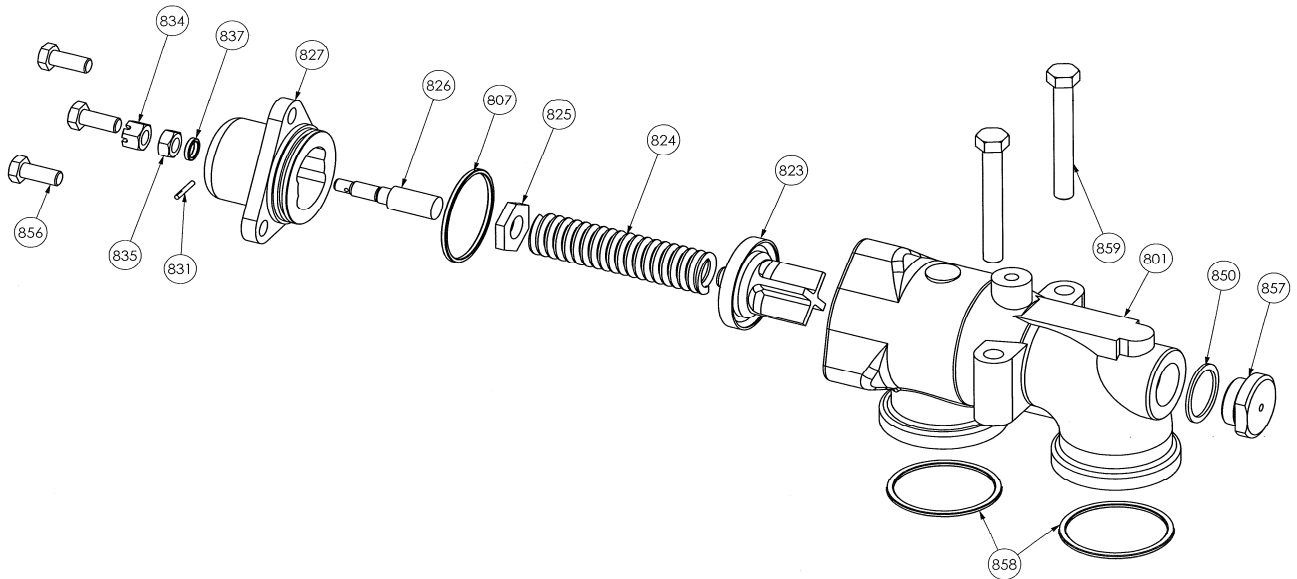
Reference			Description	Quantity		ARTICLE CODE		Wear parts
Ass.	Part	Available		In Pump	In set	P40 BA	P60 BA	
609		◆	PGSN Shaftseal holder complete - FKM	1		314280.00	314303.00	
609		◆	PGSN Shaftseal holder complete - CVT	1		314281.00	314304.00	
609		◆	PGSN Shaftseal holder complete - FKM HT	1		312776.01	312888.01	
609		◆	PGDN Shaftseal holder complete - FKM	1		314283.00	314306.00	
609		◆	PGDN Shaftseal holder complete - CVT	1		314284.00	314307.00	
609		◆	PGDN Shaftseal holder complete - FKM HT	1		312777.00	312889.00	
	511		Circlip (PGSN only)		(1)			
	512		Spacer (PGSN only)		(1)			
	601		Shaftseal holder		(1)			
	602		Seal		(1)			
	622		Jacket		(1)			
	623		Seal		(1)			
	627		Pin (Qty 2 for PGDN)		(1)			
	638		Seal (PGDN only)		(1)			
	650		Plug		(2)			
	651		Plug		(2)			
	729		Screw		(2)			



Reference			Description	Quantity		ARTICLE CODE		Wear parts
Ass.	Part	Available		In Pump	In set	P40 BA	P60 BA	
FOR STANDARD PUMP :								
			WITH PGDN MECHANICAL SEAL :					
720		◆	Outboard bearing, complete - FKM	1		307863.00		
720		◆	Outboard bearing, complete - CVT	1		312452.01		
720		◆	Outboard bearing, complete - FKM HT	1		307864.00		
			WITH OTHERS MECHANICAL SEALS :					
720		◆	Outboard bearing, complete - FKM	1		307131.00		
720		◆	Outboard bearing, complete - CVT	1		312338.01		
720		◆	Outboard bearing, complete - FKM HT	1		307706.00		
	703		Ball bearing		(1)			
	716		Lip seal		(1)			
	725		Outboard bearing		(1)			
	726		Screw		(3)			
	727		Outboard bearing seal		(1)			
	731		Roller bearing support washer		(2)			
715		◆	Set of seals + diverse for outboard bearing - FKM	1		307100.00		
715		◆	Set of seals + diverse for outboard bearing - CVT	1		312339.01		
715		◆	Set of seals + diverse for outboard bearing - FKM HT	1		307165.00		
	511		Circlip		(1)			
	537		Circlip		(1)			
	602		Seal		(2)			
	608		Pin		(1)			
	627		Pin		(1)			
	646		Seal		(1)			
	647		Lip seal		(1)			
	707		Lip seal		(1)			
	716		Lip seal		(1)			
	727		Outboard bearing seal		(1)			
FOR JACKETED PUMP :								
720		◆	Outboard bearing, complete	1		312772.00	312884.00	
	703		Ball bearing		(1)			
	716		Lip seal		(1)			
	725		Short outboard bearing		(1)			
	726		Screw		(4)			
	731		Roller bearing support washer		(2)			
715		◆	Set of seals + diverse for outboard bearing - FKM	1		314364.00	314382.00	
715		◆	Set of seals + diverse for outboard bearing - CVT	1		314367.00	314384.00	
715		◆	Set of seals + diverse for outboard bearing - FKM HT	1		314365.00	314381.00	
	511		Circlip		(1)			
	537		Circlip		(1)			
	602		Seal		(1)			
	623		Seal		(1)			
	627		Pin		(2)			
	638		Seal		(1)			
	646		Seal		(1)			
	647		Lip seal		(1)			
	707		Lip seal		(1)			
	716		Lip seal		(1)			

Reference			Description	Quantity		ARTICLE CODE		Wear parts
Ass.	Part	Available		In Pump	In set	P40 BA	P60 BA	
820		◆	Single bypass, complete - FKM	1		309554.05	309545.04	
820		◆	Single bypass, complete - CVT	1		312334.02	312341.04	
820		◆	Single bypass, complete - FKM HT	1		309555.02	309546.04	
820		◆	Double bypass, complete - FKM	1		309557.02	309548.03	
820		◆	Double bypass, complete - CVT	1		312382.01	312374.02	
820		◆	Double bypass, complete - FKM HT	1		309558.02	309549.04	
	108		Seat (double bypass)		(2)			
	115		Bypass orientation plate		(1)			
	116		Plate rivet		(2)			
	125		Screw (except 309555.01 & 309546.03)		(1) *			
	126		Copper sea (except 309555.01 & 309546.03)		(1) *			
	801		Bypass body		(1)			
	823	▲	Valve	1 *		212426		
	827		Cap		(1) *			
	858		Seal		(2)			
	858A		Seal (P40 only)		(2)			
	859		Screw		(2)			
	891		Spacer (P40 only)		(2)			
	894		Washer		(2)			
	898	◆	Pressure screw assembly - FKM	1 *		309501.02		
	898	◆	Pressure screw assembly - CVT	1 *		312141.02		
	898	◆	Pressure screw assembly - FKM HT	1 *		309857.02		
	807A		Seal		(1)			
	825		Spring guide		(1)			
	826A		Pressure screw		(1)			
	831		Pin		(1)			
	834		Nut		(1)			
	835		Nut		(1)			
	837		Seal		(1)			
	856		Screw		(3)			
For P40 < 40 m3/h :								
820		◆	Single bypass P40 < m3/h, complete - FKM	1		307102.00		
820		◆	Single bypass P40 < m3/h, complete - CVT	1		312326.00		
820		◆	Single bypass P40 < m3/h, complete - FKM HT	1		307106.00		
820		◆	Double bypass P40 < m3/h, complete - FKM	1		307114.00		
820		◆	Double bypass P40 < m3/h, complete - CVT	1		312412.00		
820		◆	Double bypass P40 < m3/h, complete - FKM HT	1		307118.00		
	115		Bypass orientation plate		(1)			
	116		Plate rivet		(2)			
	801		Bypass body		(1)			
	823	▲	Valve	1 *		204795		
	827		Cap		(1) *			
	858		Seal		(2)			
	859		Screw		(2)			
	898	◆	Pressure screw assembly - FKM	1 *		307122.00		
	898	◆	Pressure screw assembly - CVT	1 *		312327.00		
	898	◆	Pressure screw assembly - FKM HT	1 *		307317.00		
	807		Seal		(1)			
	825		Spring guide		(1)			
	826		Pressure screw		(1)			
	831		Pin		(1)			
	834		Nut		(1)			
	835		Nut		(1)			
	837		Seal		(1)			
	856		Screw		(3)			
	824	▲	3 bar spring	1 *		216012		
	824	▲	6 bar spring	1 *		216013		
	824	▲	12 bar spring	1 *		219067		
For P40 < 40 m3/h :								
	824	◆	P40 < m3/h spring - 3 bar	1 *		314463.00		
	824	▲	P40 < m3/h spring - 6 bar	1 *		211528		
	824	▲	P40 < m3/h spring -93 bar	1 *		211529		
	824	◆	P40 < m3/h spring - 12 bar	1 *		309500.00		
866		◆	Plug complete - Standard version and P60 HT version	1 *		307734.00		
866		◆	Plug complete - P40 HT version	1 *		311326.00		
	850		Seal		(1)			
	857		Plug		(1)			
868		◆	Complete stirrup - FKM	1		308807.02	308810.02	
868		◆	Complete stirrup - CVT	1		312411.02	312467.02	
868		◆	Complete stirrup - FKM HT	1		308808.02	308811.02	
	858		Seal		(2)			
	859		Screw		(1)			
	859A		Washer		(1)			
	865		Plug		(2)			
	867		Stirrup		(1)			
	899	▲	Seal (for Stirrup) - FKM	2		200795	200912	
	899	▲	Seal (for Stirrup) - CVT	2		215301	211442	
	899	▲	Seal (for Stirrup) - FKM HT	2		209454	200818	

* Quantity x 2 for double bypass



Reference			Description	Quantity		ARTICLE CODE		Wear parts
Ass.	Part	Available		In Pump	In set	P40 BA	P60 BA	
899		◆	Set of seals + diverse for bypass - FKM	1 *		309594.00	307238.00	
899		◆	Set of seals + diverse for bypass - CVT	1 *		312337.01	312142.01	
899		◆	Set of seals + diverse for bypass - FKM HT	1 *		309595.00	307239.00	
			For P40 < 40 m3/h :					
899		◆	Set of seals + diverse for P40 < m3/h bypass - FKM	1 *		307088.00		
899		◆	Set of seals + diverse for P40 < m3/h bypass - CVT	1 *		310357.00		
899		◆	Set of seals + diverse for P40 < m3/h bypass - FKM HT	1 *		307089.00		
	807		Seal		(1)			
	831		Pin		(1)			
	834		Nut		(1)			
	835		Nut		(1)			
	837		Seal		(1)			
	850		Seal		(1)			
	852		Seal		(1)			
	855		Pin		(1)			
	856		Screw		(3)			
	858		Seal		(2)			
	858A		Seal (P40 only)		(2)			
	859		Screw		(2)			
	893		Gasket (P40 < 40 m3/h only)		(3)			

* Quantity x 2 for double bypass

(◆) Sets of parts or (▲) parts available to order.

Keep this parts lists with Installation, Operation and Maintenance Instructions

To order the required spare parts, indicate the appropriate CUM numbers.



Z.I. la Plaine des Isles - 2 rue des Caillottes F-89000 AUXERRE - France

Tel : +33 (0)3 86 49 86 30 • Fax : +33 (0)3 86 49 87 17

contact@mouvex.com • www.mouvex.com