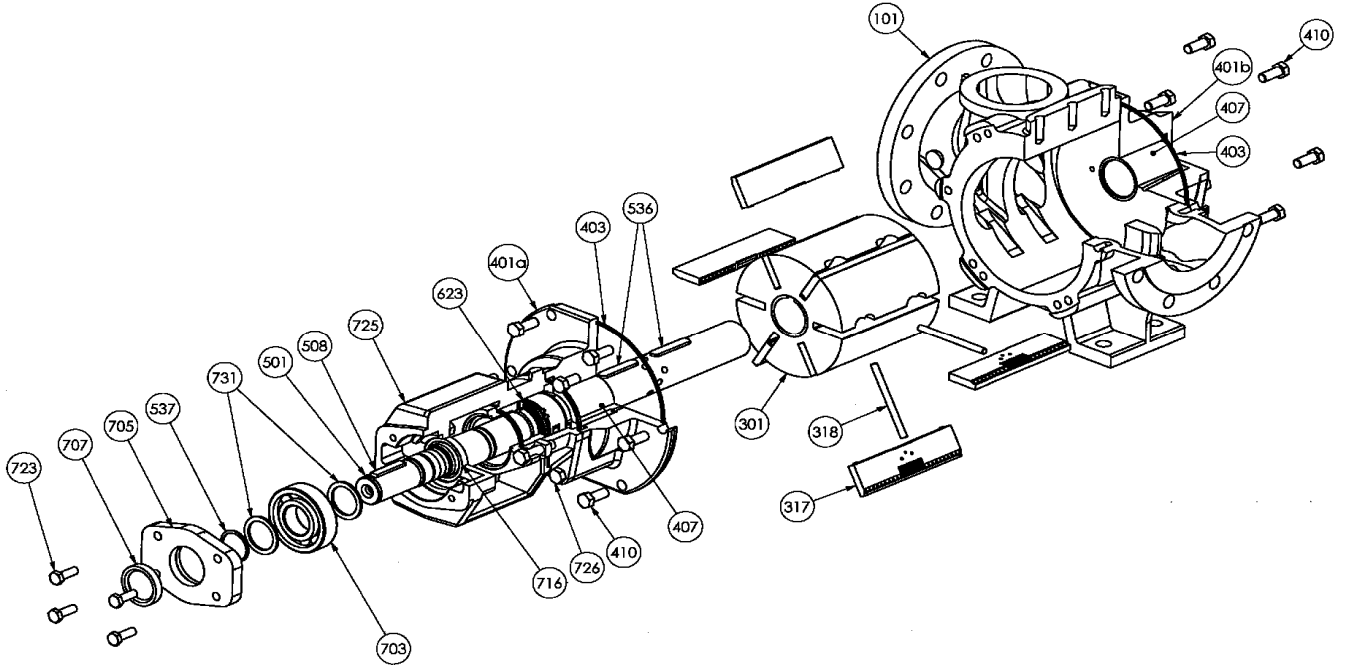
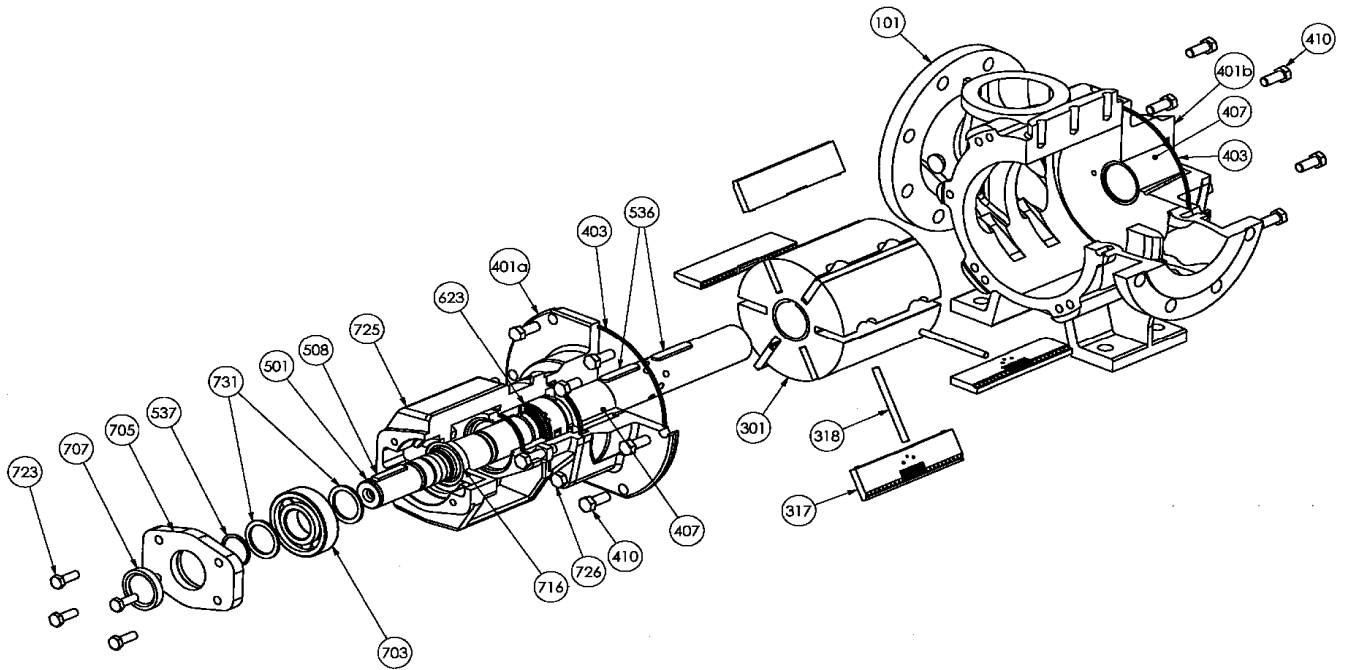


(See Instructions **1008-C00** for Installation, Operation and Maintenance)

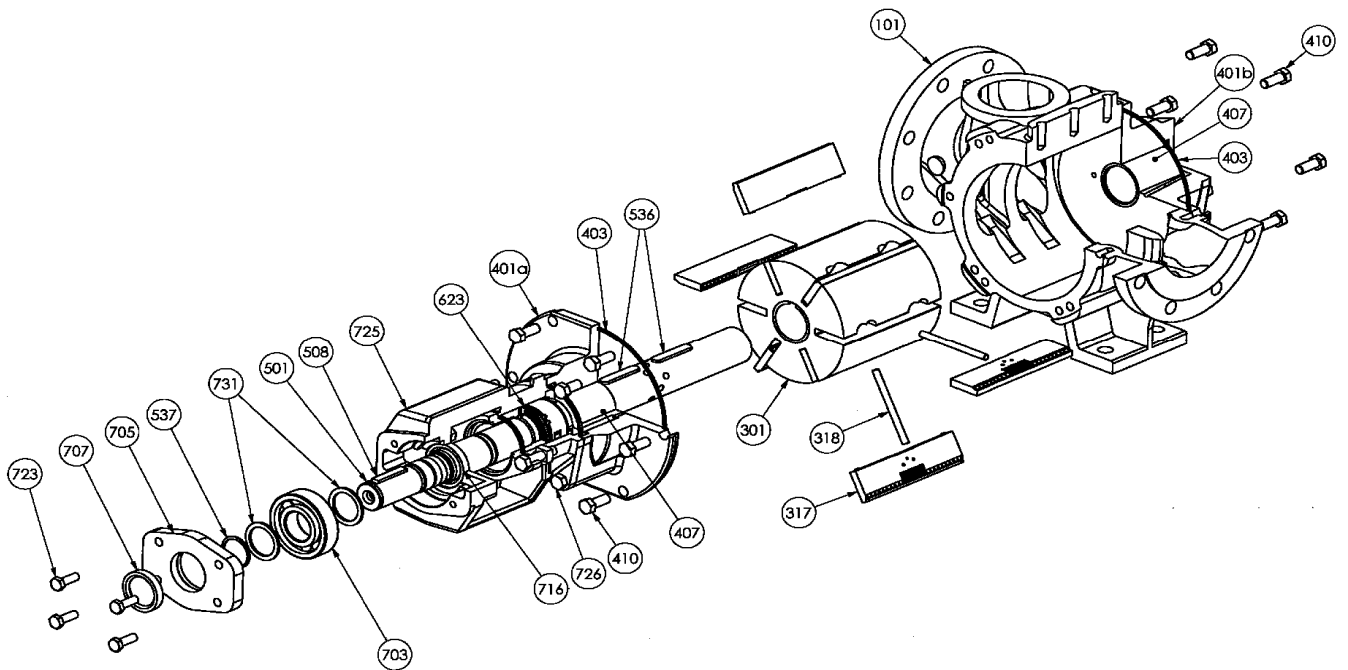
Section	1008
Effective	March 2010
Replaces	December 2009



Reference			Description	Quantity		ARTICLE CODE	Wear parts
Ass.	Part	Available		In Pump	In set	P100 BA	
98		◆	Full set of pump screws	1		314122.00	
98		◆	Full set of jacketed pump screws	1		312961.00	
	410		Screw		(12)		
	642		Screw (314122.00 only)		(2)		
	723		Screw		(4)		
	726		Screw (Qty : 6 for 314122.00)		(4)		
	729		Screw		(2)		
	730		Nut (314122.00 only)		(2)		
98		◆	Full set of outboard bearing screws	1		312899.00	
	410		Screw		(12)		
	636		Stirrup shaftseal holder		(2)		
	723		Screw		(4)		
	726		Screw		(4)		
	729		Screw		(2)		
99		◆	FOR STANDARD PUMP :				
		◆	Set of pump seals - FKM	1		314118.00	•
99		◆	Set of pump seals - CVT	1		314120.00	•
99		◆	Set of pump seals - FKM HT	1		314119.00	•
	403		Seal		(2)		
	602		Seal		(2)		
	707		Lip seal		(1)		
	716		Lip seal		(1)		
	727		Outboard bearing seal		(1)		
99		◆	FOR JACKETED PUMP :				
		◆	Set of pump seals - FKM	1		314331.00	•
99		◆	Set of pump seals - CVT	1		314332.00	•
99		◆	Set of pump seals - FKM HT	1		312898.00	•
	403		Seal		(2)		
	537		Circlip		(1)		
	707		Lip seal		(1)		
	716		Lip seal		(1)		
	101	▲	Body chromium plating	1		212062	
	101	▲	Body no chromium plating	1		212055	
	301	▲	6 vanes rotor	1		220316	
	301	▲	12 vanes rotor	1		212056	



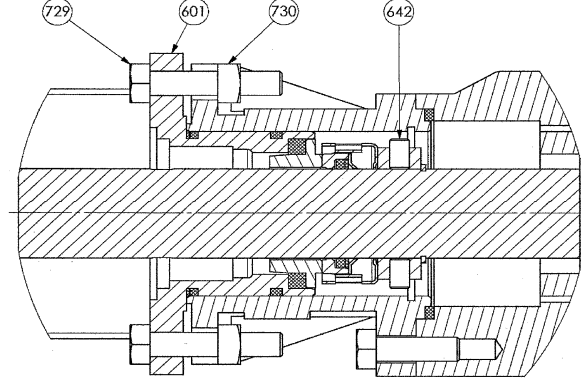
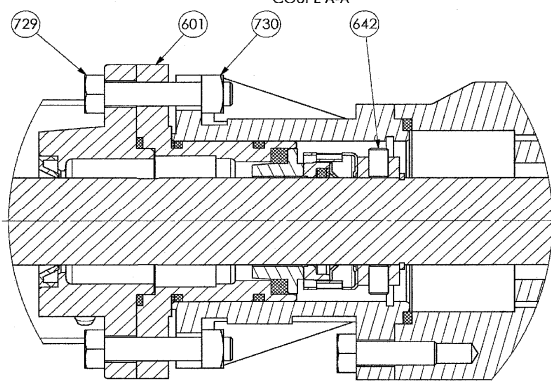
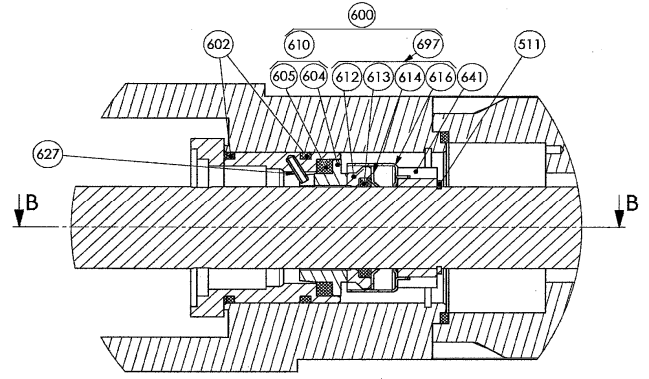
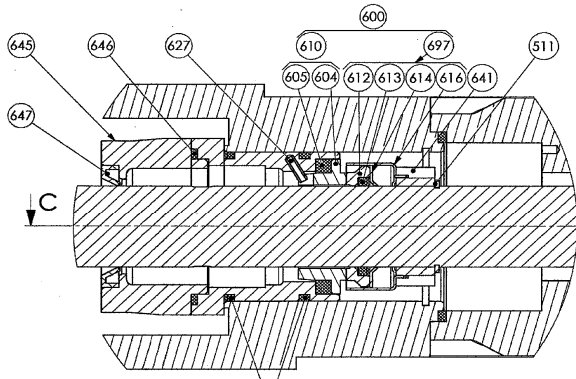
Reference			Description	Quantity		ARTICLE CODE	Wear parts
Ass.	Part	Available		In Pump	In set	P100 BA	
309		◆	Set of 6 vanes TVP	1		313378.00	•
309		◆	Set of 6 vanes TVP TR	1		313379.00	•
309		◆	Set of 6 steel vanes	1		312891.00	•
309		◆	Set of 6 bronze vanes	1		314214.00	•
309		◆	Set of 6 bronze TR vanes	1		314358.00	•
309		◆	Set of 12 vanes TVP	1		307819.00	•
309		◆	Set of 12 vanes TVP TR	1		307820.00	•
309		◆	Set of 12 steel vanes	1		310977.00	•
	317		Vane		(6/12)		
325		◆	Set of 6 pushrods (steel vanes & TVP)	1		307607.00	•
325		◆	Set of 3 pushrods (steel vanes & TVP)	1		312892.00	•
325		◆	Set of 3 pushrods (bronze vanes)	1		314215.00	•
	318		Pushrod		(3)		
400		◆	FRONT COVER COMPLETE FOR STANDARD PUMP :	1		314309.00	•
400		◆	Standard version	1		314302.00	•
400		◆	Standard version - Enlarged clearance	1		307611.01	•
400		◆	HT version	1		312430.01	•
	401A		Front cover long		(1)		
	401B		Front cover short		(1)		
	407		Front cover bushing		(2)		
	410		Screw		(12)		
400		◆	FOR JACKETED PUMP :	1			
400		◆	FRONT COVER COMPLETE FOR FABRIC :	1		314316.00	•
400		◆	Standard version	1		314310.00	•
400		◆	Standard version - Enlarged clearance	1		314313.00	•
400		◆	HT version	1		312893.00	•
400		◆	HT version - Enlarged clearance	1			
400		◆	FRONT COVER COMPLETE FOR MECHANICAL SEAL (except PGDN) :	1		314317.00	•
400		◆	Standard version	1		314311.00	•
400		◆	Standard version - Enlarged clearance	1		314314.00	•
400		◆	HT version	1		312894.00	•
400		◆	HT version - Enlarged clearance	1			
400		◆	FRONT COVER COMPLETE FOR PGDN MECHANICAL SEAL :	1		314318.00	•
400		◆	Standard version	1		314312.00	•
400		◆	Standard version - Enlarged clearance	1		314315.00	•
400		◆	HT version	1		312895.00	•
400		◆	HT version - Enlarged clearance	1			
	401A		Front cover long		(1)		
	401B		Front cover short		(1)		
	407		Front cover bushing		(2)		
	410		Screw		(12)		
	438		Screw		(1)		
	439		Seal		(1)		
	1003		Plug		(1)		
409		◆	Set of front cover o-rings - FKM	1		304442.00	•
409		◆	Set of front cover o-rings - CVT	1		313797.00	•
409		◆	Set of front cover o-rings - FKM HT	1		305581.01	•
	403		Seal		(2)		



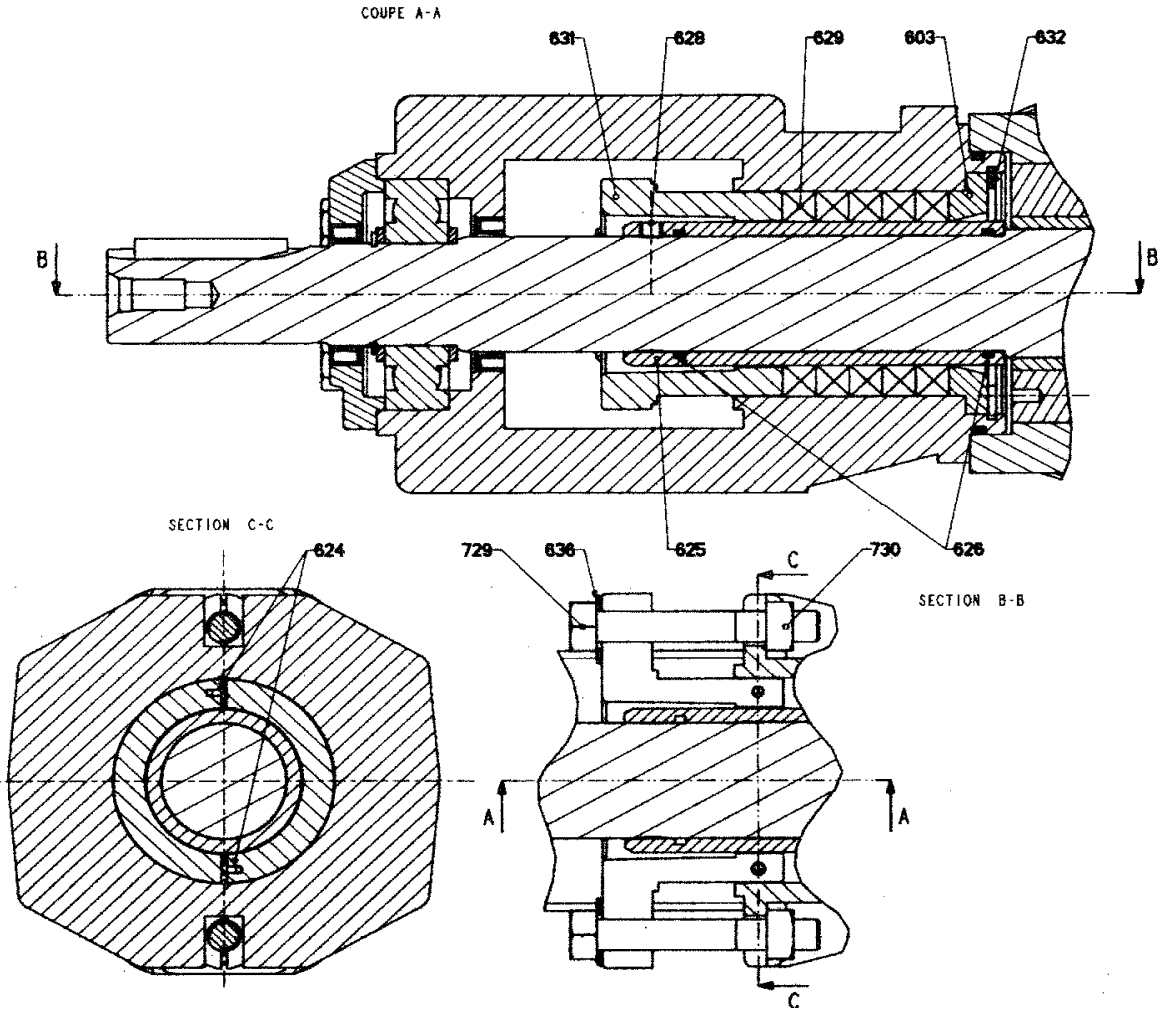
Reference			Description	Quantity		ARTICLE CODE	Wear parts
Ass.	Part	Available		In Pump	In set	P100 BA	
420		◆	Set of carbon bushings - Standard version	1		314121.00	•
420		◆	Set of carbon bushings - Standard version - Enlarged clearance	1		312900.00	•
420		◆	Set of carbon bushings - HT version	1		314531.00	•
420		◆	Set of carbon bushings - HT version - Enlarged clearance	1		314530.00	•
	407		Front cover bushing		(2)		
500		◆	FOR STANDARD PUMP (all mechanical seals and gland packing) and JACKETED PUMP (gland packing) :				
500		◆	Shaft complete for 6 or 12 vanes pump without pushrods	1		308867.00	
500		◆	Shaft complete for 6 vanes pump with pushrods	1		313541.00	
500		◆	Shaft complete for 12 vanes pump with pushrods	1		305893.00	
			FOR JACKETED PUMP (except gland packing) :				
500		◆	Shaft complete for 6 or 12 vanes pump without pushrods	1		314337.00	
500		◆	Shaft complete for 6 vanes pump with pushrods	1		312938.00	
500		◆	Shaft complete for 12 vanes pump with pushrods	1		314338.00	
	501		Shaft		(1)		
	599		Set of keys		(1)		
			FOR STANDARD PUMP :				
599		◆	Set of keys - Pump without pushrods	1		307622.00	
599		◆	Set of keys - Pump with pushrods	1		307623.00	
			FOR JACKETED PUMP :				
599		◆	Set of keys - Fabric pump without pushrods	1		307622.00	
599		◆	Set of keys - Other pumps with or without pushrods	1		307623.00	
	508		Key		(1)		
	536		Key (Qty : 2 for 307623.00)		(1)		
	537		Circlip		(1)		
704		◆	Ball bearing kit	1		307829.00	
	537		Circlip		(1)		
	703		Ball bearing		(1)		
	731		Roller bearing support washer		(2)		
740		◆	Cover complete	1		307613.00	
	705		Bearing cover		(1)		
	707		Lip seal		(1)		
	708		Grease nipple		(1)		
	723		Screw		(4)		

WITH GREASE CONTAINER

WITHOUT GREASE CONTAINER



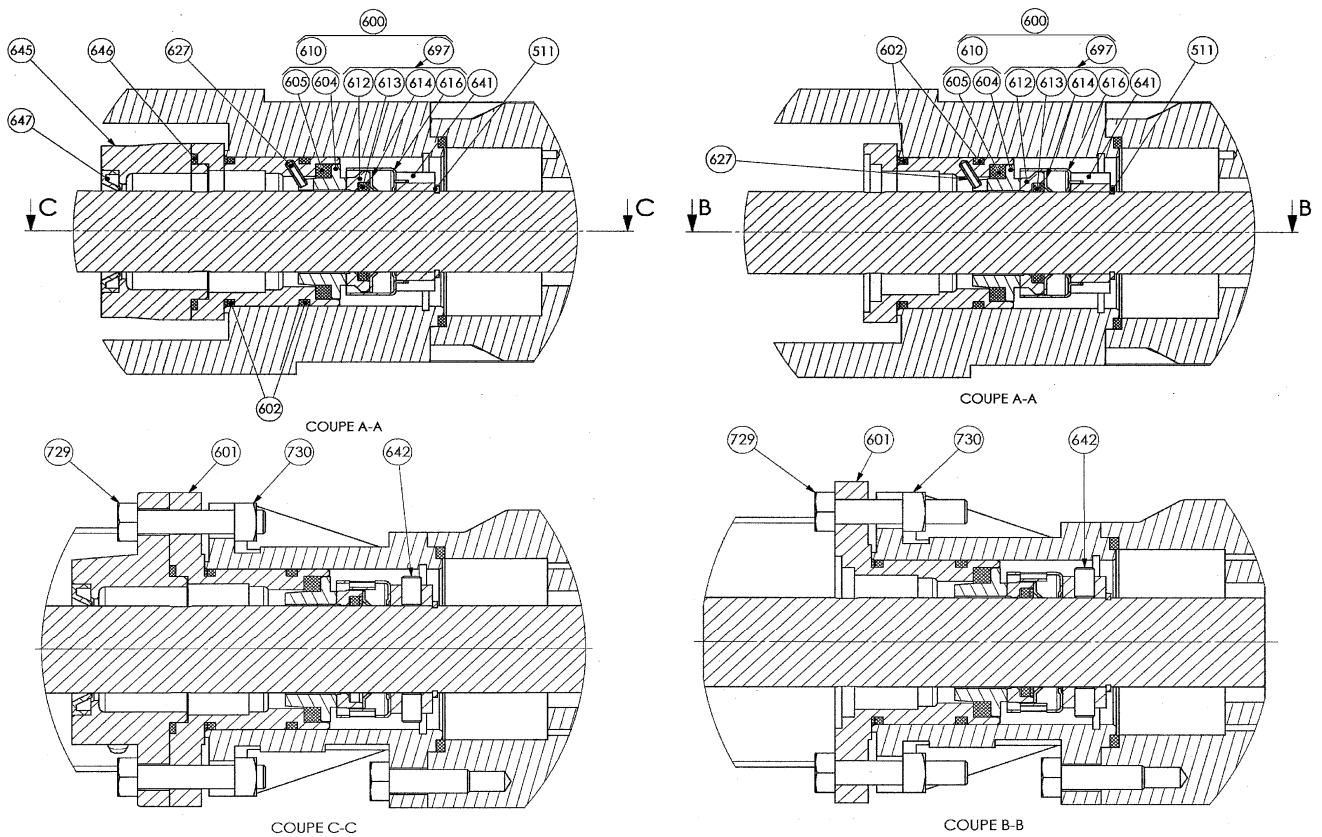
Reference			Description	Quantity		ARTICLE CODE	Wear parts
Ass.	Part	Available		In Pump	In set	P100 BA	
600		◆	Mechanical seal - Bloccdir C/I VT	1		300999.00	•
600		◆	Mechanical seal - Bloccdir C/I CVT	1		307562.00	•
600		◆	Mechanical seal - Bloccdir B/I VT	1		301012.00	•
600		◆	Mechanical seal - Bloccdir B/I CVT	1		306323.00	•
600		◆	Mechanical seal - Bloccdir B/I VT HT	1		305886.00	•
600		◆	Mechanical seal - Bloccdir CT/CT VT	1		303706.00	•
600		◆	Mechanical seal - Bloccdir CT/CT CVT	1		307567.00	•
600		◆	Mechanical seal - Bloccdir CT/CT VT HT	1		306011.00	•
	610	◆	Stationary seal face - Bloccdir C/I VT	1		301070.00	•
	610	◆	Stationary seal face - Bloccdir C/I CVT	1		304935.00	•
	610	◆	Stationary seal face - Bloccdir B/I VT	1		301076.00	•
	610	◆	Stationary seal face - Bloccdir B/I CVT	1		304936.00	•
	610	◆	Stationary seal face - Bloccdir B/I VT HT	1		305887.00	•
	610	◆	Stationary seal face - Bloccdir CT/CT VT	1		306136.00	•
	610	◆	Stationary seal face - Bloccdir CT/CT CVT	1		309000.00	•
	610	◆	Stationary seal face - Bloccdir CT/CT VT HT	1		306012.00	•
	604		Stationary seal face		(1)		
	605		Seal		(1)		
	697	◆	Rotating part - Bloccdir C/I VT	1		301002.00	•
	697	◆	Rotating part - Bloccdir C/I CVT	1		304939.00	•
	697	◆	Rotating part - Bloccdir B/I VT	1		301002.00	•
	697	◆	Rotating part - Bloccdir B/I CVT	1		304939.00	•
	697	◆	Rotating part - Bloccdir B/I VT HT	1		310083.00	•
	697	◆	Rotating part - Bloccdir CT/CT VT	1		306137.00	•
	697	◆	Rotating part - Bloccdir CT/CT CVT	1		308998.00	•
	697	◆	Rotating part - Bloccdir CT/CT VT HT	1		306013.00	•
	612		Seal housing		(1)		
	613		Seal		(1)		
	614		Spring guide		(1)		
	615		Spring		(1)		
	616		Cage		(1)		
699		◆	Set of mechanical seal seals - FKM	1		307835.00	•
699		◆	Set of mechanical seal seals - CVT	1		309015.00	•
	605		Stationary seal face seal		(1)		
	613		Seal housing seal		(1)		



Reference			Description	Quantity		ARTICLE CODE	Wear parts
Ass.	Part	Available		In Pump	In set	P100 BA	
			FOR STANDARD PUMP :				
609		◆	Set Graphite gland packing - FKM	1		308058.00	
609		◆	Set Graphite gland packing - CVT	1		313799.00	
609		◆	Set Graphite gland packing - FKM HT	1		308059.00	
609		◆	Set PTFE gland packing - FKM	1		310186.00	
609		◆	Set PTFE gland packing - CVT	1		313814.00	
609		◆	Set PTFE gland packing - FKM HT	1		311736.00	
	603		Shaftseal seat		(1)		
	624		Pin		(2)		
	625		Jacket		(1)		
	626		Seal		(2)		
	628		Screw		(3)		
	629		Fabric		(5)		
	631		Ram		(1)		
	632		Circlip (gland packing)		(1)		
	636		Stirrup shaftseal holder		(2)		
	729		Screw		(2)		
	730		Nut		(2)		
			FOR JACKETED PUMP :				
609		◆	Set Graphite gland packing	1		314319.00	
609		◆	Set PTFE gland packing	1		312896.00	
	624		Pin		(2)		
	629		Fabric		(4)		
	631		Ram		(1)		
	636		Stirrup		(2)		
	729		Screw		(2)		
699A		◆	Set of gland packing seals and screws - FKM	1		308633.00	•
699A		◆	Set of gland packing seals and screws - CVT	1		313802.00	•
699A		◆	Set of Graphite gland packing seals and screws - FKM HT	1		308634.00	•
699A		◆	Set of PTFE gland packing seals and screws - FKM HT	1		308633.00	•
	626		Seal (except 313802.00)		(2)		
	628		Screw		(3)		
	632		Circlip (gland packing)		(1)		
	636		Stirrup shaftseal holder		(2)		
	729		Screw		(2)		
	730		Nut		(2)		

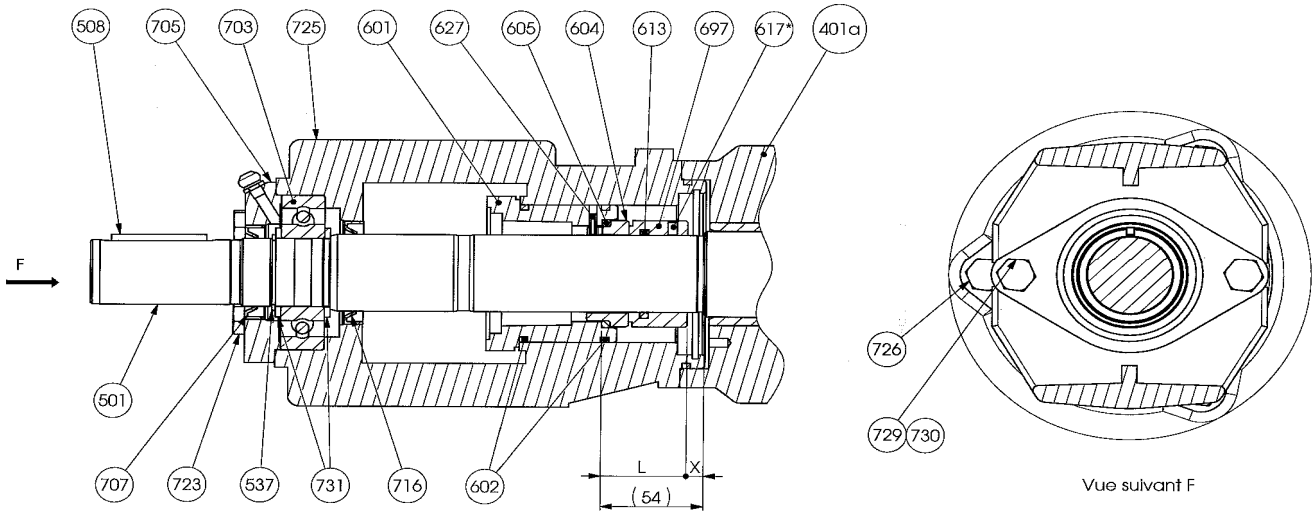
WITH GREASE CONTAINER

WITHOUT GREASE CONTAINER



Reference			Description	Quantity		ARTICLE CODE	Wear parts
Ass.	Part	Available		In Pump	In set	P100 BA	
640		◆	Reservoir grease complete	1		306190.00	
	643		Snifter valve		(1)		
	644		Grease nipple		(1)		
	645		Cover		(1)		
	646		Seal		(1)		
	647		Lip seal		(1)		
			FOR STANDARD PUMP without grease reserve :				
609		◆	Bloddir Shaftseal holder complete - FKM	1		307616.00	
609		◆	Bloddir Shaftseal holder complete - CVT	1		313798.00	
609		◆	Bloddir Shaftseal holder complete - FKM HT	1		307824.00	
			FOR STANDARD PUMP with grease reserve :				
609		◆	Bloddir Shaftseal holder complete - FKM	1		314321.00	
609		◆	Bloddir Shaftseal holder complete - CVT	1		314323.00	
609		◆	Bloddir Shaftseal holder complete - FKM HT	1		314322.00	
	601		Shaftseal holder		(1)		
	602		Seal		(2)		
	627		Pin		(1)		
	640		Reservoir grease complete (pump with grease reserve)	1		306190.00	
	643		Snifter valve		(1)		
	644		Grease nipple		(1)		
	645		Cover		(1)		
	646		Seal		(1)		
	647		Lip seal		(1)		
	641		Mechanical seal driver		(1)		
	642		Screw		(2)		
	729		Screw		(2)		
	730		Nut		(2)		

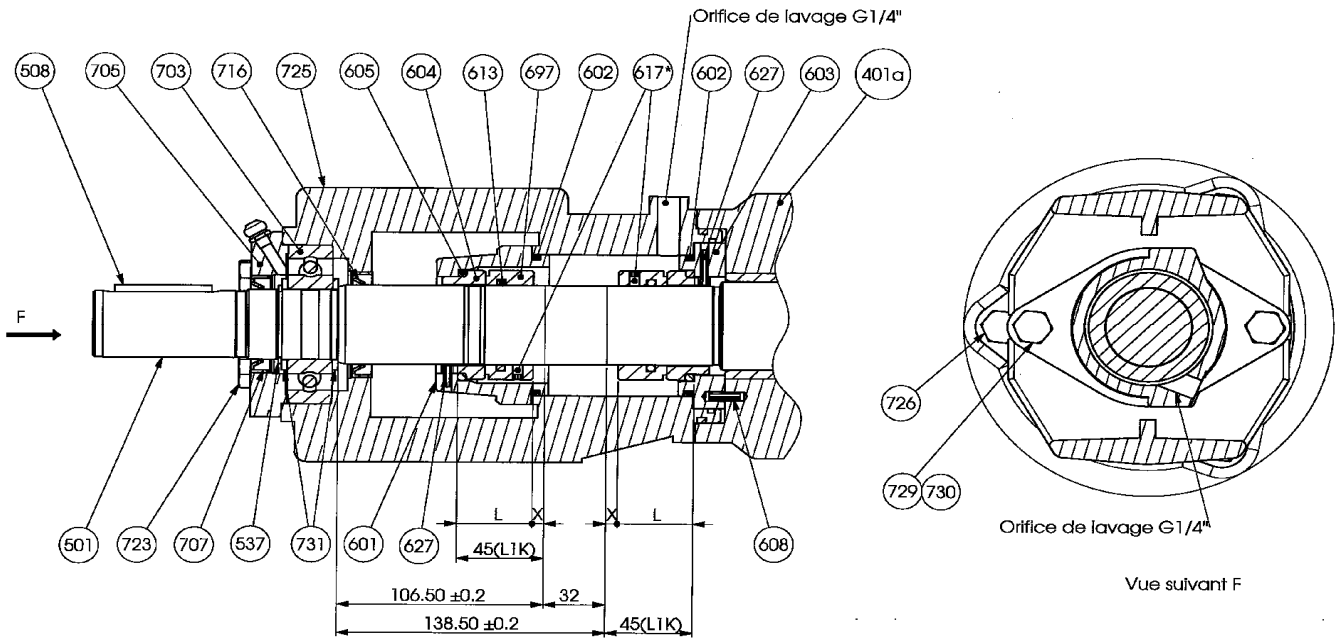
STANDARD PUMP



X (assembling dimension) : $(54-L) \pm 0,4$
 L (compression dimension) : Refer to constructor instructions

Reference			Description	Quantity		ARTICLE CODE	Wear parts
Ass.	Part	Available		In Pump	In set	P100 BA	
			FOR STANDARD PUMP without grease reserve :				
609		◆	PGSN Shaftseal holder complete - FKM	1		308052.00	
609		◆	PGSN Shaftseal holder complete - CVT	1		313800.00	
609		◆	PGSN Shaftseal holder complete - FKM HT	1		308053.00	
			FOR STANDARD PUMP with grease reserve :				
609		◆	PGSN Shaftseal holder complete - FKM	1		314341.00	
609		◆	PGSN Shaftseal holder complete - CVT	1		314343.00	
609		◆	PGSN Shaftseal holder complete - FKM HT	1		314342.00	
	601		Shaftseal holder		(1)		
	602		Seal		(2)		
	627		Pin		(1)		
	640		Reservoir grease complete (pump with grease reserve)	1		306190.00	
	643		Snifter valve		(1)		
	644		Grease nipple		(1)		
	645		Cover		(1)		
	646		Seal		(1)		
	647		Lip seal		(1)		
	641		Mechanical seal driver		(1)		
	642		Screw		(2)		
	729		Screw		(2)		
	730		Nut		(2)		

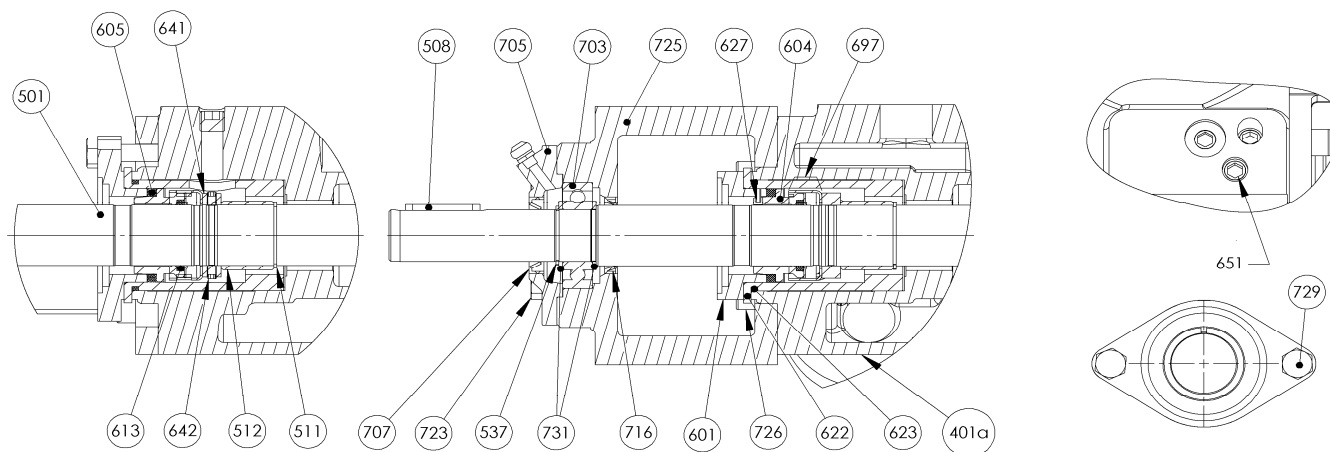
STANDARD PUMP



X (assembling dimension) : (45-L)±0,4
 L (compression dimension) : Refer to constructor instructions

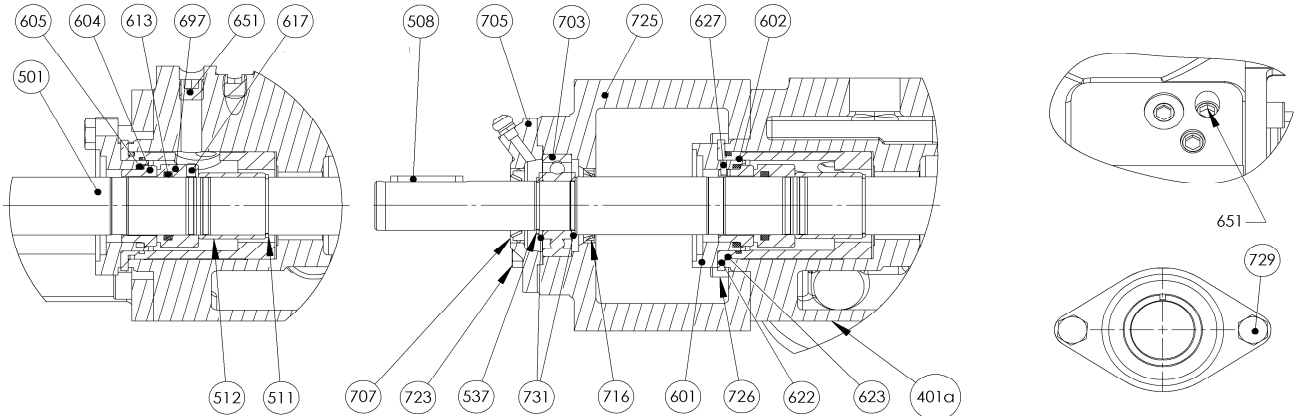
Reference			Description	Quantity		ARTICLE CODE	Wear parts
Ass.	Part	Available		In Pump	In set	P100 BA	
			FOR STANDARD PUMP without grease reserve :				
609		◆	PGDN Shaftseal holder complete - FKM	1		308054.00	
609		◆	PGDN Shaftseal holder complete - CVT	1		313801.00	
609		◆	PGDN Shaftseal holder complete - FKM HT	1		308055.00	
	601		Shaftseal holder		(1)		
	602		Seal		(2)		
	603		Shaftseal seat		(1)		
	608		Pin		(1)		
	627		Pin		(1)		
	627A		Pin		(1)		
	729		Screw		(2)		
	730		Nut		(2)		

JACKETED PUMP

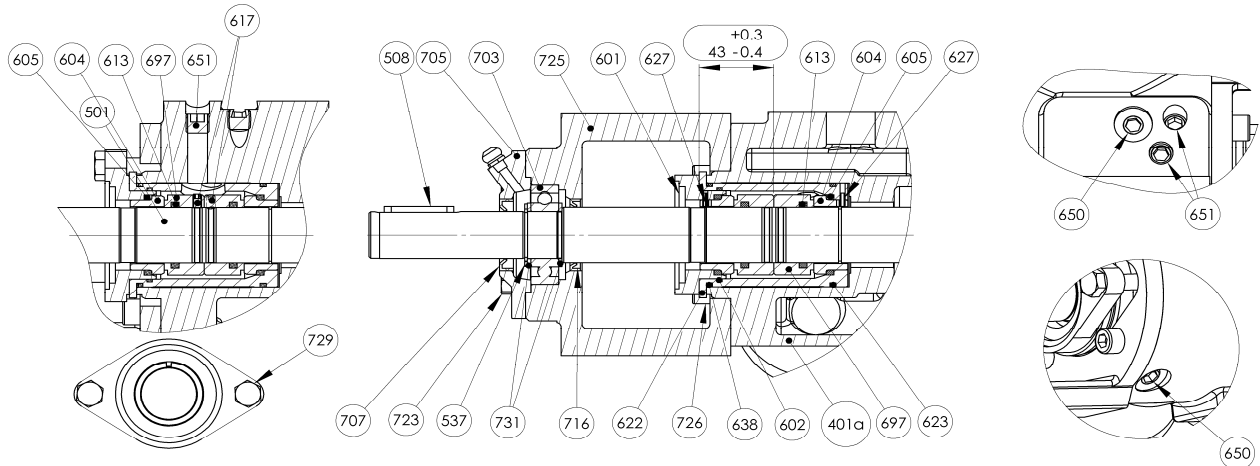


Reference			Description	Quantity		ARTICLE CODE	Wear parts
Ass.	Part	Available		In Pump	In set	P100 BA	
			FOR JACKETED PUMP without grease reserve :				
609		◆	Bloddir Shaftseal holder complete - FKM	1		314325.00	
609		◆	Bloddir Shaftseal holder complete - CVT	1		314326.00	
609		◆	Bloddir Shaftseal holder complete - FKM HT	1		313461.00	
			FOR JACKETED PUMP with grease reserve :				
609		◆	Bloddir Shaftseal holder complete - FKM	1		314328.00	
609		◆	Bloddir Shaftseal holder complete - CVT	1		314329.00	
609		◆	Bloddir Shaftseal holder complete - FKM HT	1		313462.00	
	512		Spacer		(1)		
	601		Shaftseal holder		(1)		
	602		Seal		(1)		
	622		Jacket		(1)		
	623		Seal		(1)		
	627		Pin		(1)		
	641		Mechanical seal driver		(1)		
	642		Screw		(2)		
	643		Snifter valve (pump with grease reserve)		(1)		
	644		Grease nipple (pump with grease reserve)		(1)		
	647		Lip seal (pump with grease reserve)		(1)		
	729		Screw		(2)		

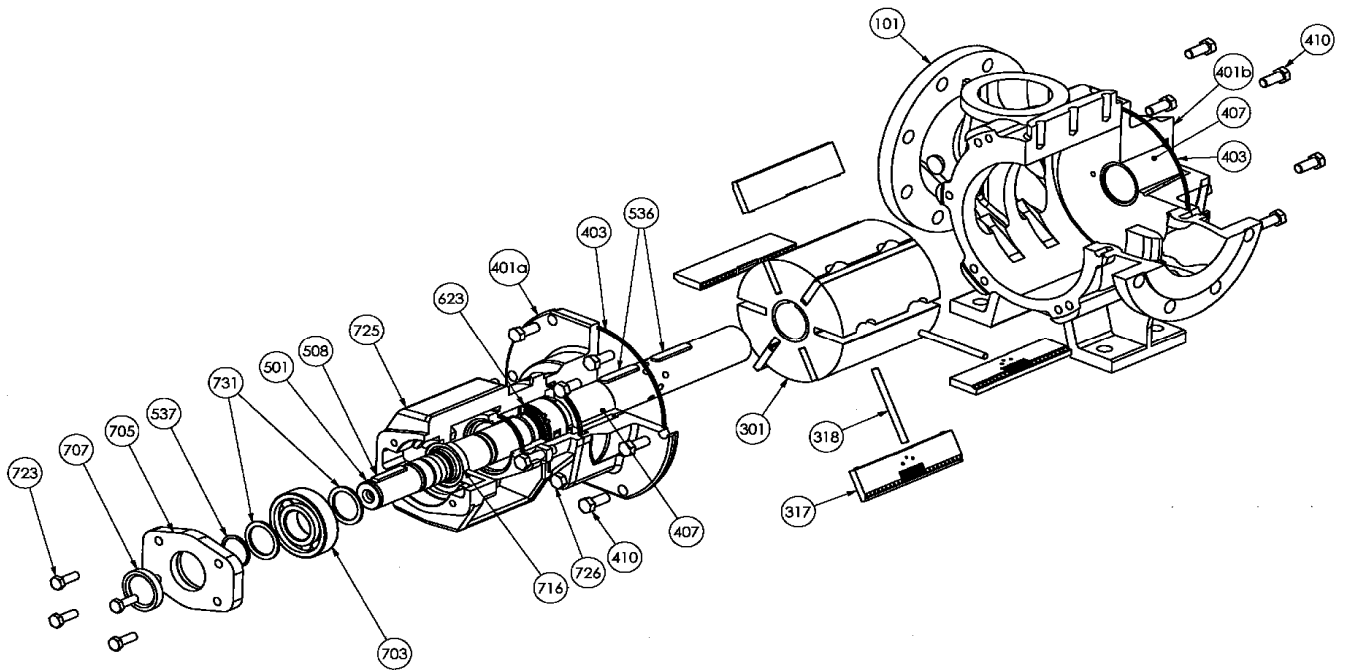
JACKETED PUMP



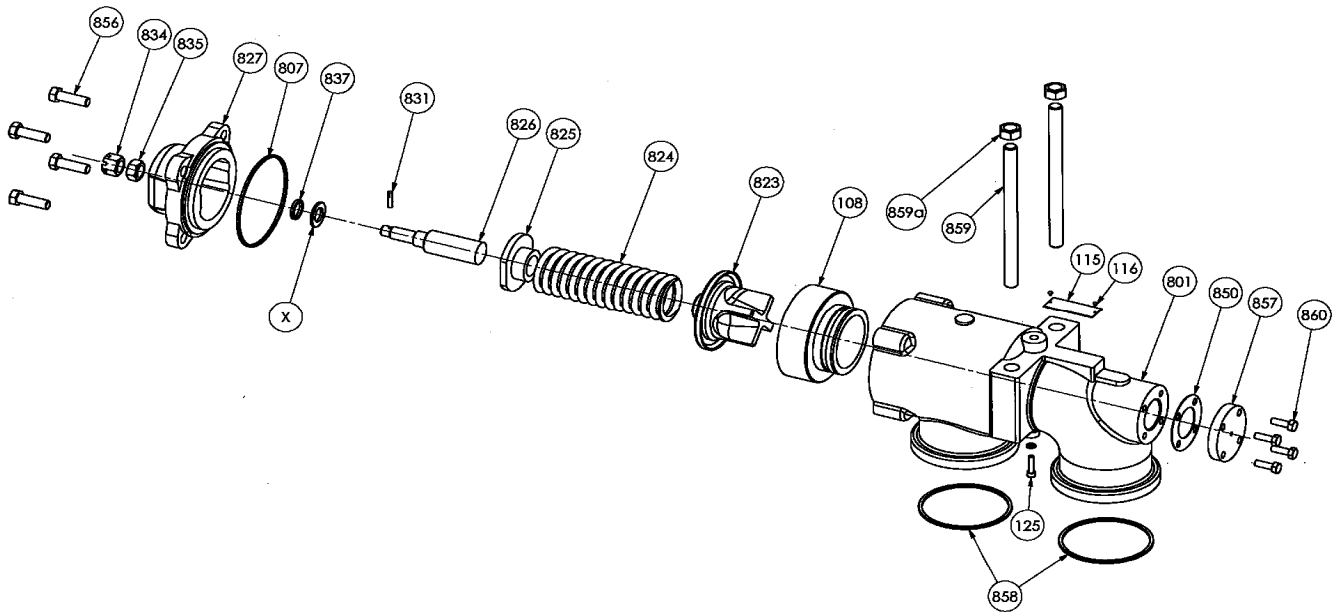
Reference			Description	Quantity		ARTICLE CODE	Wear parts
Ass.	Part	Available		In Pump	In set	P100 BA	
			FOR JACKETED PUMP without grease reserve :				
609		◆	PGSN Shaftseal holder complete - FKM	1		314345.00	
609		◆	PGSN Shaftseal holder complete - CVT	1		314346.00	
609		◆	PGSN Shaftseal holder complete - FKM HT	1		312901.01	
			FOR JACKETED PUMP with grease reserve :				
609		◆	PGSN Shaftseal holder complete - FKM	1		314348.00	
609		◆	PGSN Shaftseal holder complete - CVT	1		314349.00	
609		◆	PGSN Shaftseal holder complete - FKM HT	1		312939.01	
	512		Spacer		(1)		
	601		Shaftseal holder		(1)		
	602		Seal		(1)		
	622		Jacket		(1)		
	623		Seal		(1)		
	627		Pin		(1)		
	643		Snifter valve (pump with grease reserve)		(1)		
	644		Grease nipple (pump with grease reserve)		(1)		
	647		Lip seal (pump with grease reserve)		(1)		
	651		Plug		(2)		
	729		Screw		(2)		



Reference			Description	Quantity		ARTICLE CODE	Wear parts
Ass.	Part	Available		In Pump	In set	P100 BA	
			FOR JACKETED PUMP without grease reserve :				
609		◆	PGDN Shaftseal holder complete - FKM	1		314335.00	
609		◆	PGDN Shaftseal holder complete - CVT	1		314336.00	
609		◆	PGDN Shaftseal holder complete - FKM HT	1		312902.00	
	601		Shaftseal holder		(1)		
	602		Seal		(2)		
	622		Jacket		(1)		
	623		Seal		(1)		
	627		Pin		(2)		
	650		Plug		(2)		
	651		Plug		(2)		
	729		Screw		(2)		

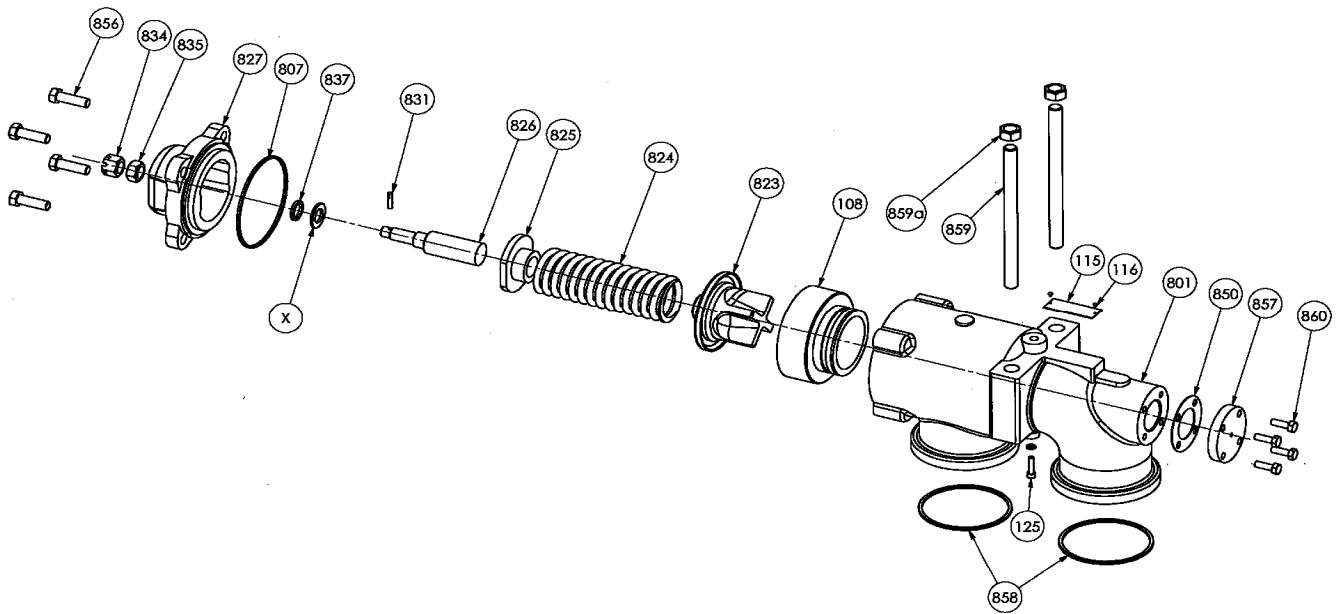


Reference			Description	Quantity		ARTICLE CODE	Wear parts
Ass.	Part	Available		In Pump	In set	P100 BA	
			FOR STANDARD PUMP - PGDN MECHANICAL SEAL :				
720		◆	Outboard bearing, complete - FKM	1		308636.00	
720		◆	Outboard bearing, complete - CVT	1		313806.00	
720		◆	Outboard bearing, complete - FKM HT	1		308637.00	
			FOR STANDARD PUMP - OTHERS MECHANICAL SEALS :				
720		◆	Outboard bearing, complete - FKM	1		307612.00	
720		◆	Outboard bearing, complete - CVT	1		313805.00	
720		◆	Outboard bearing, complete - FKM HT	1		307827.00	
	703		Ball bearing		(1)		
	716		Lip seal		(1)		
	725		Outboard bearing		(1)		
	726		Screw		(3)		
	727		Outboard bearing seal		(1)		
	731		Roller bearing support washer		(2)		
			FOR JACKETED PUMP :				
720		◆	Outboard bearing, complete	1		312897.00	
	703		Ball bearing		(1)		
	716		Lip seal		(1)		
	725		Short outboard bearing		(1)		
	726		Screw		(4)		
	731		Roller bearing support washer		(2)		
715		◆	Set of seals + diverse for outboard bearing - FKM	1		307618.00	
715		◆	Set of seals + diverse for outboard bearing - CVT	1		313804.00	
715		◆	Set of seals + diverse for outboard bearing - FKM HT	1		307619.00	
	537		Circlip		(1)		
	602		Seal		(2)		
	627		Pin		(1)		
	646		Seal		(1)		
	647		Lip seal		(1)		
	707		Lip seal		(1)		
	714		Cover seal (FKM HT)		(1)		
	716		Lip seal (FKM and CVT)		(1)		
	727		Outboard bearing seal		(1)		



Reference			Description	Quantity		ARTICLE CODE	Wear parts
Ass.	Part	Available		In Pump	In set	P100 BA	
820		◆	Single bypass, complete - FKM	1		307594.01	
820		◆	Single bypass, complete - CVT	1		313807.01	
820		◆	Single bypass, complete - FKM HT	1		307600.01	
820		◆	Double bypass, complete - FKM	1		307597.01	
820		◆	Double bypass, complete - CVT	1		313808.01	
820		◆	Double bypass, complete - FKM HT	1		307603.01	
	108		Seat		(1) *		
	115		Bypass orientation plate		(1)		
	116		Plate rivet		(2)		
	125		Screw		(1) *		
	126		Copper seal		(1) *		
	801		Bypass body		(1)		
	823	▲	Valve	1 *		205189	
	827		Cap		(1) *		
	858		Seal		(2)		
	859		Stud		(2)		
	859A		Nut		(2)		
	898	◆	Pressure screw assembly - FKM	1 *		307765.01	
	898	◆	Pressure screw assembly - CVT	1 *		313815.03	
	898	◆	Pressure screw assembly - FKM HT	1 *		307766.01	
	807		Seal		(1)		
	825		Spring guide		(1)		
	826		Pressure screw		(1)		
	831		Pin		(1)		
	834		Nut		(1)		
	835		Nut		(1)		
	837		Seal		(1)		
	856		Screw		(4)		
	824	▲	3 bar spring	1 *		212076	
	824	▲	6 bar spring	1 *		212077	
	824	▲	9 bar spring	1 *		212078	
	824	◆	12 bar spring	1 *		309516.00	
866		◆	Plug complete	1 *		307633.00	
	850		Seal		(1)		
	857		Plug		(1)		
	860		Screw		(4)		
868		◆	Complete stirrup - FKM	1		309896.01	
868		◆	Complete stirrup - CVT	1		313809.00	
868		◆	Complete stirrup - FKM HT	1		309897.01	
	858		Seal		(2)		
	859		Screw		(1)		
	859A		Washer		(1)		
	865		Plug		(2)		
	867		Stirrup		(1)		
	899	▲	Seal (for Stirrup) - FKM	2		205803	
	899	▲	Seal (for Stirrup) - CVT	2		224056	
	899	▲	Seal (for Stirrup) - FKM HT	2		209269	

* Quantity x 2 for double bypass



Reference			Description	Quantity		ARTICLE CODE	Wear parts
Ass.	Part	Available		In Pump	In set	P100 BA	
899		◆	Set of seals + diverse for bypass - FKM	1 *		307776.00	
899		◆	Set of seals + diverse for bypass - CVT	1 *		313810.00	
899		◆	Set of seals + diverse for bypass - FKM HT	1 *		307830.00	
	807		Seal		(1)		
	831		Pin		(1)		
	834		Nut		(1)		
	835		Nut		(1)		
	837		Seal		(1)		
	850		Seal		(1)		
	852		Seal (except FKM HT)		(1)		
	855		Pin		(1)		
	856		Screw		(4)		
	858		Seal		(2)		
	859		Stud		(2)		
	859A		Nut		(2)		
	860		Screw		(4)		
	861		Washer		(4)		

* Quantity x 2 for double bypass

(◆) Sets of parts or (▲) parts available to order.

Keep this parts lists with Installation, Operation and Maintenance Instructions

To order the required spare parts, indicate the appropriate CUM numbers.



Z.I. la Plaine des Isles - 2 rue des Cailottes F-89000 AUXERRE - France
 Tel : +33 (0)3 86 49 86 30 • Fax : +33 (0)3 86 49 87 17
 contact@mouvex.com • www.mouvex.com