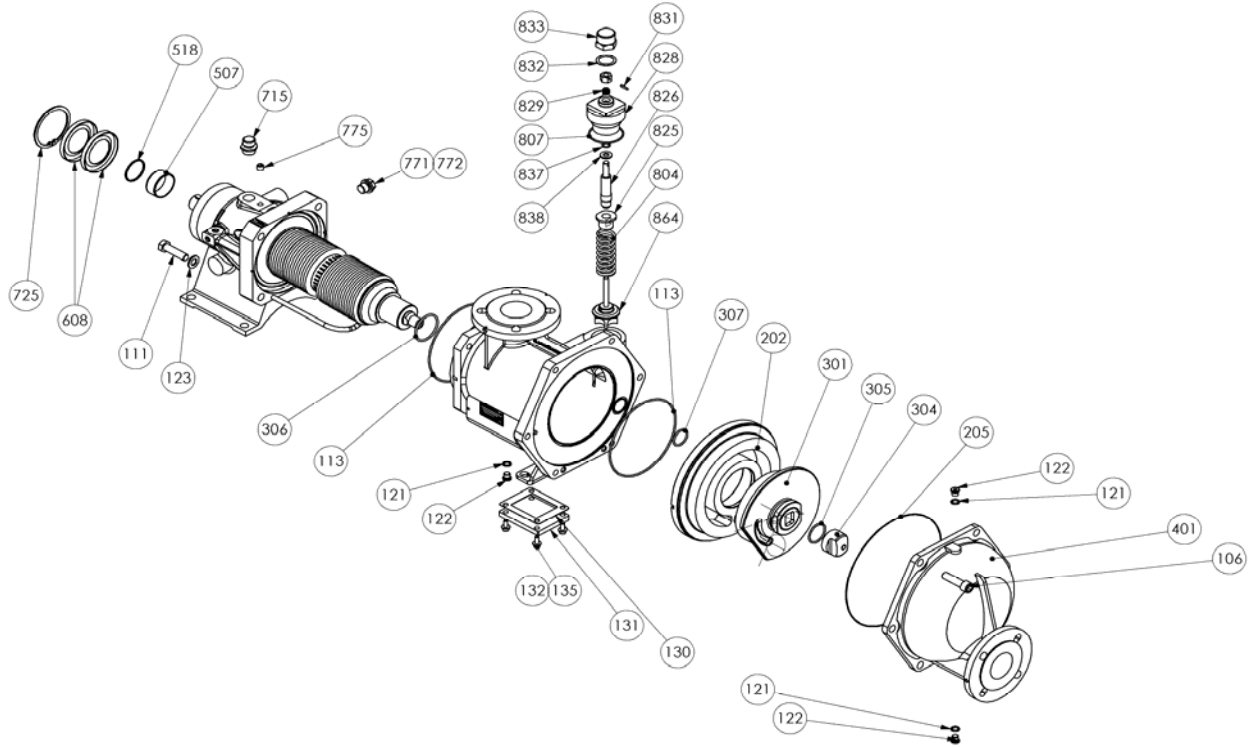


(See Instructions 1001-F00 for Installation, Operation and Maintenance)

Section	1001
Effective	April 2009
Replaces	May 2007



Reference			Description	Quantity		ARTICLE CODE		Wear parts
Ass.	Part	Available		Order	In Pump	C12 A	C18 A	
100		◆	Inlet Manifold PN16 PN20 (bypass)	1		311512.01		
100		◆	Inlet Manifold PN16 PN20 (closed bypass)	1		313509.00		
	101		Main body		(1)			
	108		Support foot		(1)			
	109		Screw		(2)			
	116		Pin		(1)			
	118		Pin		(1)			
100		◆	Jacketed Inlet Manifold PN16 PN20 (bypass)	1		311513.01		
100		◆	Jacketed Inlet Manifold PN16 PN20 (closed bypass)	1		313510.00		
	101		Main body		(1)			
	108		Support foot		(1)			
	109		Screw		(2)			
	116		Pin		(1)			
	118		Pin		(1)			
	131		Heat jacket cover plate		(1)			
119		◆	Set of studs and nuts	1		311757.00		
	106		Screw		(6)			
	111		Screw		(4)			
	123		Washer		(4)			
119		◆	Jacketed set of studs and nuts	1		311758.00		
	106		Blind nut		(6)			
	111		Stud		(4)			
	123		Washer		(4)			
	132		Screw		(4)			
	135		Washer		(4)			
141		◆	Drain Front cover and Inlet Manifold	1		311776.00		
	100		Main body		(1)			
	400		Front cover		(1)			
	140	◆	Set of drain plugs	1		311510.00		
	121		Copper-plated gasket		(3)			
	122		Plug		(3)			
200		◆	Set cylinder/Piston (bypass)	1		312872.01	312873.01	•
200		◆	Set cylinder/Piston (closed bypass)	1		313515.00	313516.00	•
	201		Cylinder		(1)			
	301		Piston		(1)			
	304	▲	Piston nut	1		218053	218397	

(◆) Sets of parts or (▲) parts available to order

Reference			Description	Quantity		ARTICLE CODE		Wear parts
Ass.	Part	Available		Order	In Pump	C12 A	C18 A	
206			Set of FKM 'O' ring seals	1		311517.02		•
206			Set of CVT 'O' ring seals	1		311895.02		•
206			Set of FKM 'O' ring seals -Jacketed version-	1		311518.02		•
206			Set of CVT 'O' ring seals -Jacketed version-	1		311896.02		•
	113		Seal		(2)			
	130		Seal (jacketed version)		(1)			
	205		Seal Ring		(1)			
	305		Seal		(1)			
	306		Seal		(1)			
	307		Seal		(1)			
401		▲	Front cover PN16 PN20	1		218142		
596		◆	Complete transmission	1		313848.00		
596		◆	Complete transmission + Pressure switch bellows monitoring system	1		313671.01		
596		◆	Complete transmission + ATEX pressure switch bellows monitoring system	1		313791.00		
	9	◆	Bearing gaskets / screws	1		312855.01		
	507		Ring		(1)			
	602		Gasket		(1)			
	608		Lip seal		(2)			
	609		Bearing screws		(3)			
	8	◆	Plugs + gasket	1		314259.00		
	715		Breather		(1)			
	771		Seal		(1)			
	772		Plug		(1)			
	775		Plug		(1)			
	905		Plug		(2)			
820*		◆	Bypass - FKM -C2.5	1		313139.01		
820*		◆	Bypass - FKM -C5.5	1		313140.01		
820*		◆	Bypass - FKM -C6.5	1		313141.01		
820*		◆	Bypass - FKM -C8	1		313142.01		
820*		◆	Bypass - CVT -C2.5	1		313144.01		
820*		◆	Bypass - CVT -C5.5	1		313145.01		
820*		◆	Bypass - CVT -C6.5	1		313146.01		
820*		◆	Bypass - CVT -C8	1		313147.01		
	804		Spring		(1)			
	825		Spring base		(1)			
	826		Pressure adjustment screw		(1)			
	827		Washer		(1)			
	828		Nut		(1)			
	829		Brake spring		(1)			
	831		Pin		(1)			
	833		Bypass cap		(1)			
	834		Adjustment nut		(1)			
	838		Washer		(1)			
	864		Valve head		(1)			
	896	◆	Set of seals FKM	1		313174.02		
	896	◆	Set of seals CVT	1		313175.02		
	807		Seal		(1)			
	832		Seal		(1)			
	837		Seal		(1)			
820**		◆	Closed bypass - FKM	1		313513.00		
820**		◆	Closed bypass - CVT	1		313514.00		
	807		Seal		(1)			
	828		Nut		(1)			
	832		Seal		(1)			
	833		Bypass cap		(1)			

CVT - FEP encapsulated FKM

\* For Inlet manifold with bypass \*\* For Inlet manifold with closed bypass

(◆) Sets of parts or (▲) parts available to order

Keep this parts lists with Installation, Operation and Maintenance Instructions

To order the required spare parts, indicate the appropriate CUM numbers.



Z.I. la Plaine des Isles - 2 rue des Caillottes F-89000 AUXERRE - FRANCE

Tel : +33 (0)3 86 49 86 30 • Fax : +33 (0)3 86 49 87 17

contact@mouvex.com • www.mouvex.com