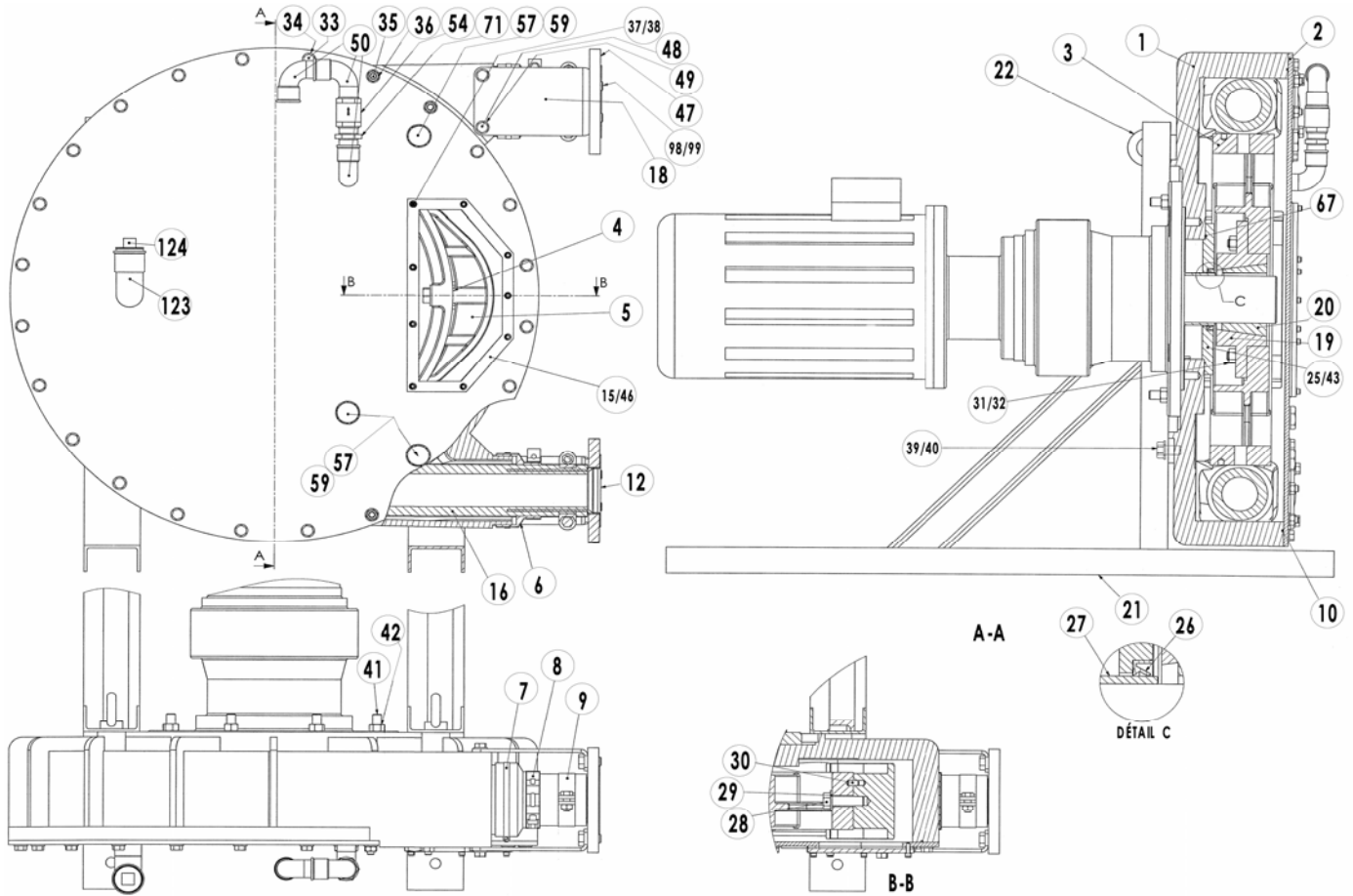


(See Instructions 1101-M00 for Installation, Operation and Maintenance)

Section	1101
Effective	December 2008
Replaces	December 2007



Reference			Description	Variants	Quantity		ARTICLE CODE	Wear parts
Ass.	Part	Available			Order	In Pump	AX80	
	3	▲	Wheel		1		219658	
	10	▲	Cover seal		1		220202	•
	12	▲	Insert	Stainless steel	1		217328	•
	1100	▲	Lubricant - Glycerin	10 liters	1		314223.00	•
	1100	▲	Lubricant - Glycerin	30 liters	1		314224.00	•
	15	▲	Window		1		220210	
	16	▲	Hose	NR	1		218742	•
	16	▲	Hose	NBR	1		218743	•
	16	▲	Hose	EPDM	1		218744	•
	18	▲	Bracket	Flange PN16	1		217139	
	18	▲	Bracket	Flange PN20	1		219101	
	20	▲	Hub		1		217159	
	25	▲	Tightness cover		1		220284	
	43	▲	Screw		1		200414	
	46	▲	Window seal		1		217398	
	67	▲	Seal		1		220228	
114	4	◆	Set of shims		1		312361.00	
			Removable shim			(8)		

Reference			Description	Variants	Quantity		ARTICLE CODE	Wear parts
Ass.	Part	Available			Order	In Pump	AX80	
116		◆	Wheel fixation kit		1		313044.00	
	19		Plate to be screwed			(1)		
	31		Screw			(6)		
	32		Nut			(6)		
118		◆	Boot + Hose clamp		1		312793.00	
	6		Nipple			(2)		
	7		Hose clamp			(2)		
	8		Hose clamp			(2)		
	9		Hose clamp		(2)			
119		◆	Set of shoes	Aluminium	1		312795.00	
	4a		Fixed shim			(8)		
	4b		Fixed shim			(4)		
	5		Shoe			(2)		
	30		Pin		(2)			
125		◆	Shaft seal + bushing		1		313045.00	
	26		Shaft seal			(1)		
	27		Seal ring		(1)			
130		◆	Puncture detection kit		1		311839.00	
	50		Elbow			(1)		
	54		Valve			(1)		
	71		Fitting			(2)		
	72		Tee			(1)		
	73		Elbow			(1)		
	76		Fitting			(1)		
	77		Connector			(1)		
78		Capacitive detector		(1)				
130		◆	Puncture detection kit ATEX		1		313746.00	
	50		Elbow			(1)		
	54		Valve			(1)		
	71		Fitting			(2)		
	72		Tee			(1)		
	73		Elbow			(1)		
	76		Fitting			(1)		
	77		Connector			(1)		
78		Capacitive detector		(1)				
84		Amplifier		(1)				

(◆) Sets of parts or (▲) parts available to order

Keep this parts lists with Installation, Operation and Maintenance Instructions

To order the required spare parts, indicate the appropriate CUM numbers.



Z.I. la Plaine des Isles - 2 rue des Caillottes F-89000 AUXERRE - FRANCE

Tel : +33 (0)3 86 49 86 30 • Fax : +33 (0)3 86 49 87 17

contact@mouvex.com • www.mouvex.com