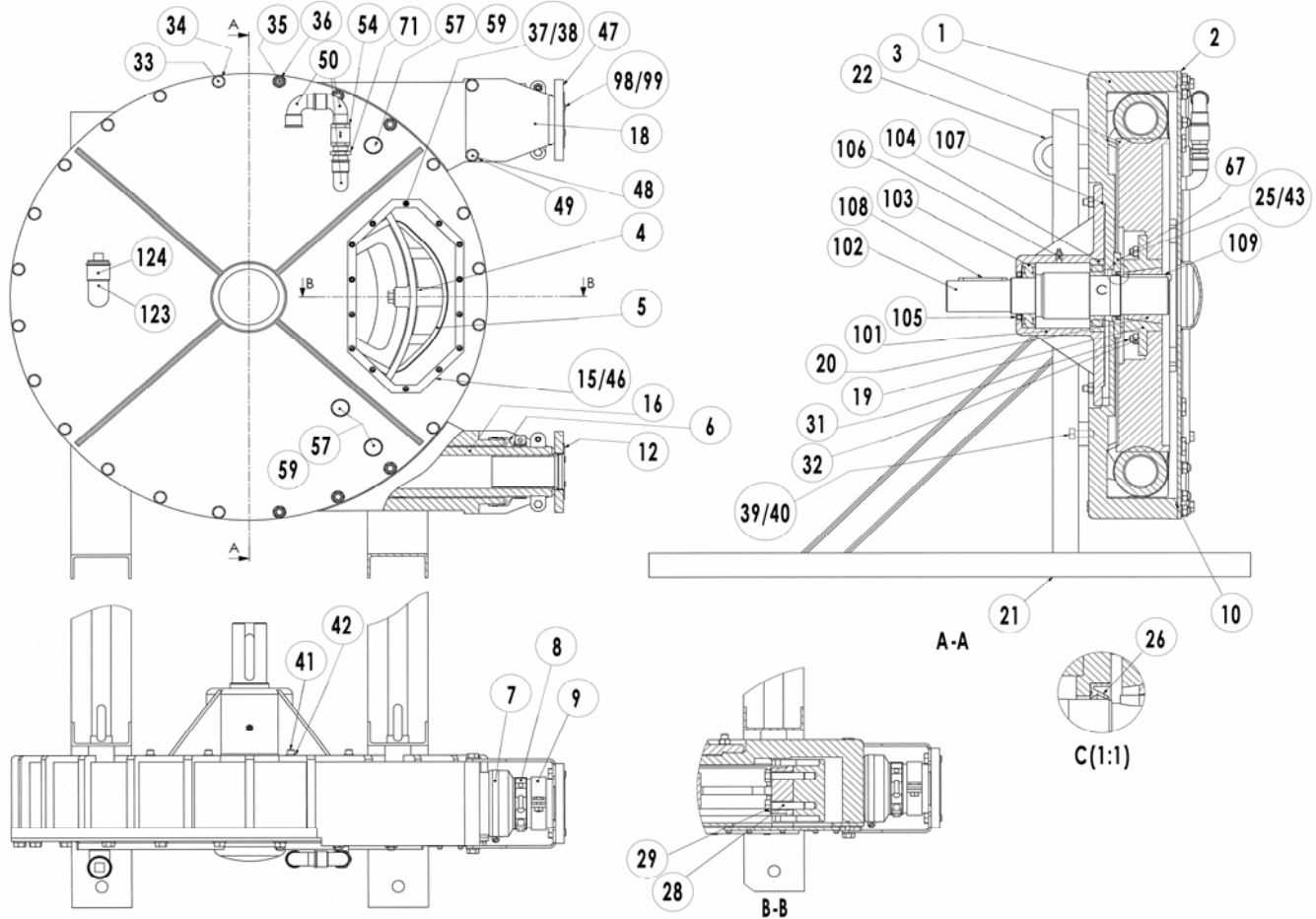


(See Instructions 1101-L00 for Installation, Operation and Maintenance)

Section Effective Replaces	1101 December 2008 December 2007
----------------------------	--



Reference			Description	Variants	Quantity		ARTICLE CODE	Wear parts
Ass.	Part	Available			Order	In Pump	AS80	
	3	▲	Wheel		1		217293	
	10	▲	Cover seal		1		220203	•
	12	▲	Insert	Stainless steel	1		217328	
	1100	▲	Lubricant - Glycerin	10 liters	1		314223.00	•
	1100	▲	Lubricant - Glycerin	30 liters	1		314224.00	•
	15	▲	Window		1		220211	
	16	▲	Hose	NR	1		218745	•
	16	▲	Hose	NBR	1		218746	•
	16	▲	Hose	EPDM	1		218747	•
	18	▲	Bracket	Flange PN16	1		217140	
	18	▲	Bracket	Flange PN20	1		219102	
	46	▲	Window seal		1		217399	
<b>116</b>		◆	<b>Wheel fixation kit</b>		<b>1</b>		<b>312798.00</b>	
	19		Plate to be screwed			(1)		
	20		Hub			(1)		
	25		Tightness cover			(1)		
	26		Shaft seal			(1)		
	31		Screw			(6)		
	32		Nut			(6)		
	43		Screw			(4)		
	67		Seal			(1)		
<b>114</b>		◆	<b>Set of shims</b>		<b>1</b>		<b>312362.00</b>	
	4		Removable shim			(8)		

Reference			Description	Variants	Quantity		ARTICLE CODE	Wear parts
Ass.	Part	Available			Order	In Pump	AS80	
117		◆	<b>Bearing box</b> Bearing box Pump Shaft Bearing Bearing Seal Grease nipple Seal Key Key		1	(1) (1) (1) (1) (1) (1) (1) (1) (1) (1)	312800.00	
118		◆	<b>Boot + Hose clamp</b> Nipple Hose clamp Hose clamp Hose clamp		1	(2) (2) (2) (2)	312799.00	
119		◆	<b>Set of shoes</b> Fixed shim Fixed shim Shoe	Aluminium	1	(10) (4) (2)	312801.00	
130		◆	<b>Puncture detection kit</b> Elbow Valve Fitting Tee Elbow Fitting Connector Capacitive detector		1	(1) (1) (2) (1) (1) (1) (1) (1)	311839.00	
130		◆	<b>Puncture detection kit ATEX</b> Elbow Valve Fitting Tee Elbow Fitting Connector Capacitive detector Amplifier		1	(1) (1) (2) (1) (1) (1) (1) (1) (1)	313746.00	

(◆) Sets of parts or (▲) parts available to order

Keep this parts lists with Installation, Operation and Maintenance Instructions

To order the required spare parts, indicate the appropriate CUM numbers.



Z.I. la Plaine des Isles - 2 rue des Caillottes F-89000 AUXERRE - FRANCE

Tel : +33 (0)3 86 49 86 30 • Fax : +33 (0)3 86 49 87 17

contact@mouvex.com • www.mouvex.com