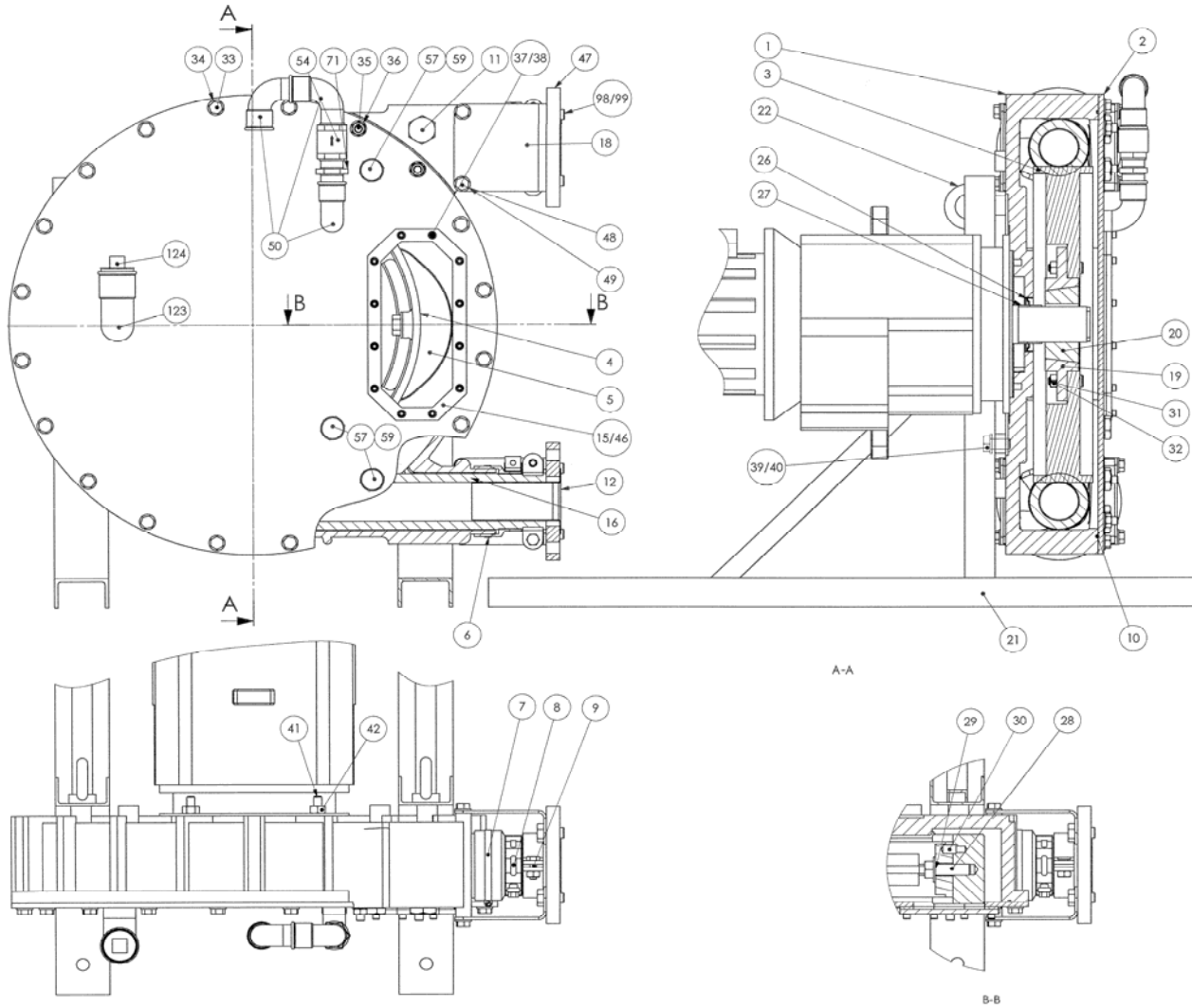


(See Instructions 1101-J00 for Installation, Operation and Maintenance)

| | |
|----------------------------|--|
| Section Effective Replaces | 1101 December 2008 December 2007 |
|----------------------------|--|



| Reference | | | Description | Variants | Quantity | | ARTICLE CODE A65 | Wear parts |
|------------|------|-----------|---------------------------|-------------------|----------|---------|---------------------|------------|
| Ass. | Part | Available | | | Order | In Pump | | |
| | 3 | ▲ | Wheel | | 1 | | 217291 | |
| | 10 | ▲ | Cover seal | | 1 | | 220117 | • |
| | 12 | ▲ | Insert | Stainless steel | 1 | | 217319 | |
| | 12 | ▲ | Insert | PPH | 1 | | 217320 | |
| | 12 | ▲ | Insert | PVDF | 1 | | 217321 | |
| | 1100 | ▲ | Lubricant - Glycerin | 10 liters | 1 | | 314223.00 | • |
| | 15 | ▲ | Window | | 1 | | 220119 | |
| | 16 | ▲ | Hose | NR | 1 | | 218736 | • |
| | 16 | ▲ | Hose | NBR | 1 | | 218737 | • |
| | 16 | ▲ | Hose | EPDM | 1 | | 218738 | • |
| | 18 | ▲ | Bracket | | 1 | | 219099 | |
| | 20 | ▲ | Bushing | Shaft diameter 55 | 1 | | 217154 | |
| | 20 | ▲ | Bushing | Shaft diameter 60 | 1 | | 217155 | |
| | 46 | ▲ | Window seal | | 1 | | 217397 | |
| 114 | | ◆ | Set of shims | | 1 | | 312360.00 | |
| | 4 | | Removable shim | | | (8) | | |
| 116 | | ◆ | Wheel fixation kit | | 1 | | 313040.00 | |
| | 19 | | Plate to be screwed | | | (1) | | |
| | 31 | | Screw | | | (6) | | |
| | 32 | | Nut | | | (6) | | |

| Reference | | | Description | Variants | Quantity | | ARTICLE CODE | Wear parts |
|-----------|------|-----------|------------------------------------|-------------------|----------|---------|--------------|------------|
| Ass. | Part | Available | | | Order | In Pump | A65 | |
| 118 | | ◆ | Boot + Hose clamp | | 1 | | 312735.00 | |
| | 6 | | Nipple | | | (2) | | |
| | 7 | | Hose clamp | | | (2) | | |
| | 8 | | Hose clamp | | | (2) | | |
| | 9 | | Hose clamp | | | (2) | | |
| 119 | | ◆ | Aluminum shoes + shims | | 1 | | 312736.00 | |
| 119 | | ◆ | Iron shoes + shims | | 1 | | 312737.00 | |
| | 4a | | Fixed shim | | | (4) | | |
| | 4b | | Fixed shim | | | (4) | | |
| | 5 | | Shoe | | | (2) | | |
| | 30 | | Pin | | | (2) | | |
| 125 | | ◆ | Shaft seal + bushing | Shaft diameter 55 | 1 | | 313041.01 | |
| 125 | | ◆ | Shaft seal + bushing | Shaft diameter 60 | 1 | | 313042.00 | |
| | 26 | | Shaft seal | | | (1) | | |
| | 27 | | Seal ring | | | (1) | | |
| 130 | | ◆ | Puncture detection kit | | 1 | | 311839.00 | |
| | 50 | | Elbow | | | (1) | | |
| | 54 | | Valve | | | (1) | | |
| | 71 | | Fitting | | | (2) | | |
| | 72 | | Tee | | | (1) | | |
| | 73 | | Elbow | | | (1) | | |
| | 76 | | Fitting | | | (1) | | |
| | 77 | | Connector | | | (1) | | |
| | 78 | | Capacitive detector | | | (1) | | |
| 130 | | ◆ | Puncture detection kit ATEX | | 1 | | 313746.00 | |
| | 50 | | Elbow | | | (1) | | |
| | 54 | | Valve | | | (1) | | |
| | 71 | | Fitting | | | (2) | | |
| | 72 | | Tee | | | (1) | | |
| | 73 | | Elbow | | | (1) | | |
| | 76 | | Fitting | | | (1) | | |
| | 77 | | Connector | | | (1) | | |
| | 78 | | Capacitive detector | | | (1) | | |
| | 84 | | Amplifier | | | (1) | | |

(◆) Sets of parts or (▲) parts available to order

Keep this parts lists with Installation, Operation and Maintenance Instructions

To order the required spare parts, indicate the appropriate CUM numbers.



Z.I. la Plaine des Isles - 2 rue des Caillottes F-89000 AUXERRE - FRANCE

Tel : +33 (0)3 86 49 86 30 • Fax : +33 (0)3 86 49 87 17

contact@mouvex.com • www.mouvex.com