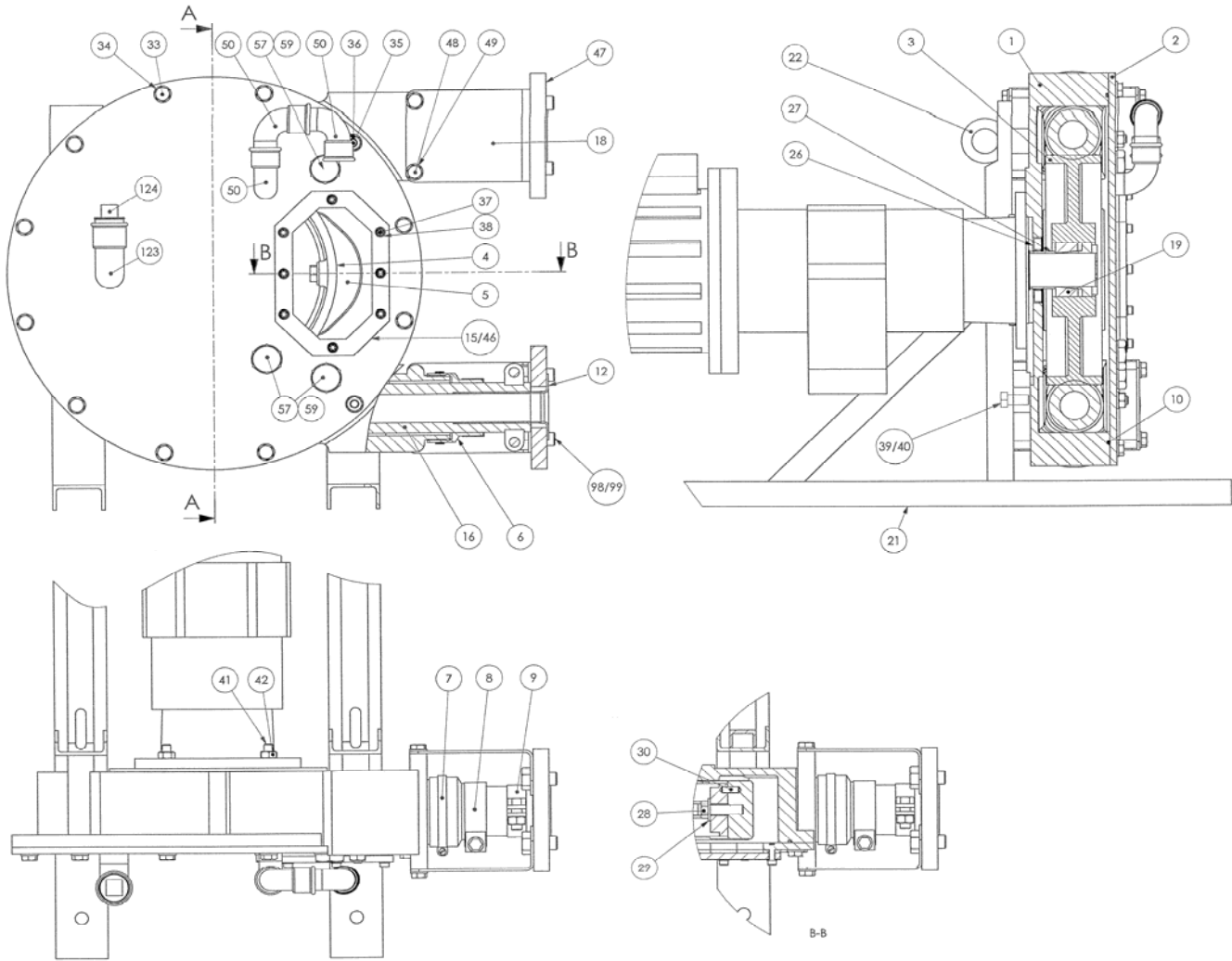


(See Instructions 1101-F00 for Installation, Operation and Maintenance)

Section	1101
Effective	December 2008
Replaces	December 2007



Reference			Description	Variants	Quantity		ARTICLE CODE	Wear parts
Ass.	Part	Available			Order	In Pump	A40	
	3	▲	Wheel		1		218864	
	10	▲	Cover seal		1		220201	•
	12	▲	Insert	Stainless steel	1		217310	
	12	▲	Insert	PPH	1		217311	
	12	▲	Insert	PVDF	1		217312	
	1100	▲	Lubricant - Glycerin	2 liters	1		31100221.00	•
	1100	▲	Lubricant - Glycerin	5 liters	1		314222.00	•
	15	▲	Window		1		220209	
	16	▲	Hose	NR	1		218727	•
	16	▲	Hose	NBR	1		218728	•
	16	▲	Hose	EPDM	1		218729	•
	18	▲	Bracket		1		219096	
	19	▲	Expansable taper lock		1		218861	
	46	▲	Window seal		1		217395	
114	4	◆	Set of shims Removable shim		1	(10)	312358.00	
118	6	◆	Boot + Hose clamp Nipple		1	(2)	312780.00	
	7		Hose clamp			(2)		
	8		Hose clamp			(2)		
	9		Hose clamp			(2)		

Reference			Description	Variants	Quantity		ARTICLE CODE	Wear parts
Ass.	Part	Available			Order	In Pump	A40	
119		◆	Set of shoes	Aluminium	1		312782.00	
119	5	◆	Set of shoes	Iron	1		312783.00	
	30		Shoe			(2)		
			Pin			(2)		
125	26	◆	Shaft seal + bushing		1		313030.00	
	27		Shaft seal			(1)		
			Seal ring			(1)		
130	50	◆	Puncture detection kit		1		311840.00	
	71		Elbow			(1)		
	72		Fitting			(1)		
	73		Tee			(1)		
	76		Elbow			(1)		
	77		Fitting			(1)		
	78		Connector			(1)		
			Capacitive detector			(1)		
130	50	◆	Puncture detection kit ATEX		1		313739.00	
	71		Elbow			(1)		
	72		Fitting			(1)		
	73		Tee			(1)		
	76		Elbow			(1)		
	77		Fitting			(1)		
	78		Connector			(1)		
	84		Capacitive detector			(1)		
			Amplifier			(1)		

(◆) Sets of parts or (▲) parts available to order

Keep this parts lists with Installation, Operation and Maintenance Instructions

To order the required spare parts, indicate the appropriate CUM numbers.



Z.I. la Plaine des Isles - 2 rue des Caillottes F-89000 AUXERRE - FRANCE

Tel : +33 (0)3 86 49 86 30 • Fax : +33 (0)3 86 49 87 17

contact@mouvex.com • www.mouvex.com