

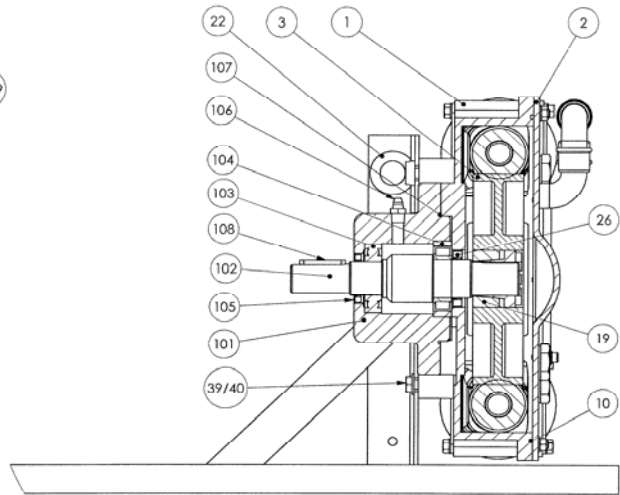
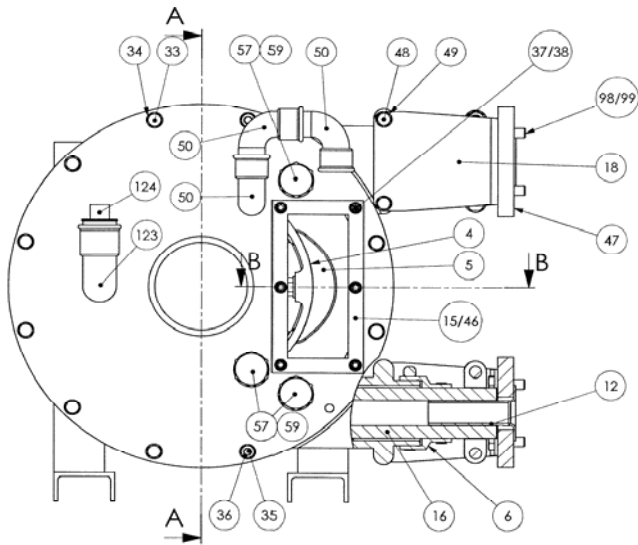
MOUVEX
MODEL :

PARTS LIST
AS25

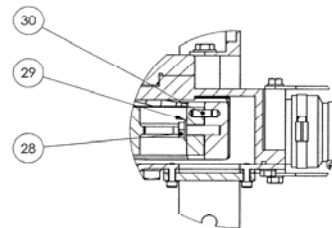
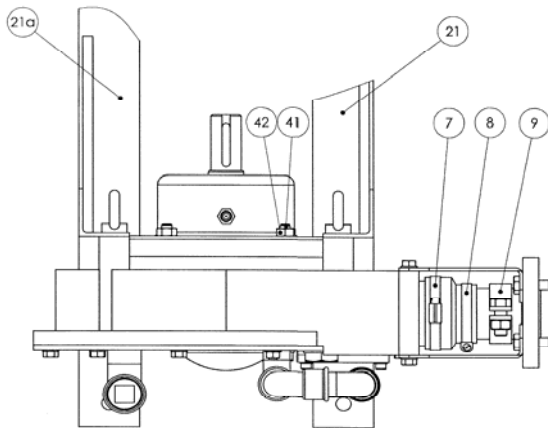
P.L. : 1101-D02

(See Instructions 1101-D00 for Installation, Operation and Maintenance)

Section	1101
Effective	December 2008
Replaces	December 2007



A-A



COUPE B-B

Reference			Description	Variants	Quantity		ARTICLE CODE	Wear parts
Ass.	Part	Available			Order	In Pump	AS25	
	3	▲	Wheel		1		218020	
	10	▲	Cover seal		1		220200	•
	12	▲	Insert	Stainless steel	1		217461	
	12	▲	Insert	PPH	1		217052	
	12	▲	Insert	PVDF	1		217053	
	1100	▲	Lubricant - Glycerin	2 liters	1		314221.00	•
	1100	▲	Lubricant - Glycerin	5 liters	1		314222.00	•
	15	▲	Window		1		220208	
	16	▲	Hose	NR	1		218721	•
	16	▲	Hose	NBR	1		218722	•
	16	▲	Hose	EPDM	1		218723	•
	18	▲	Bracket		1		219094	
	19	▲	Expansable taper lock		1		218022	
	26	▲	Shaft seal		1		220215	
	46	▲	Window seal		1		217040	
114		◆	Set of shims		1		312357.00	
	4		Removable shim			(10)		

Reference			Description	Variants	Quantity		ARTICLE CODE	Wear parts
Ass.	Part	Available			Order	In Pump	AS25	
117		◆	Bearing box Bearing box Pump Shaft Bearing Bearing Seal Grease nipple Seal Key		1	(1) (1) (1) (1) (1) (1) (1) (1)	312790.00	
118		◆	Boot + Hose clamp Nipple Hose clamp Hose clamp Hose clamp		1	(2) (2) (2) (2)	312787.00	
119		◆	Set of shoes	Aluminium	1		312788.00	
119		◆	Set of shoes Shoe Pin	Iron	1	(2) (2)	312789.00	
130		◆	Puncture detection kit Elbow Fitting Tee Elbow Fitting Connector Capacitive detector		1	(1) (1) (1) (1) (1) (1) (1)	311840.00	
130		◆	Puncture detection kit ATEX Elbow Fitting Tee Elbow Fitting Connector Capacitive detector Amplifier		1	(1) (1) (1) (1) (1) (1) (1) (1)	313739.00	

(◆) Sets of parts or (▲) parts available to order

Keep this parts lists with Installation, Operation and Maintenance Instructions

To order the required spare parts, indicate the appropriate CUM numbers.



Z.I. la Plaine des Isles - 2 rue des Caillottes F-89000 AUXERRE - FRANCE

Tel : +33 (0)3 86 49 86 30 • Fax : +33 (0)3 86 49 87 17

contact@mouvex.com • www.mouvex.com