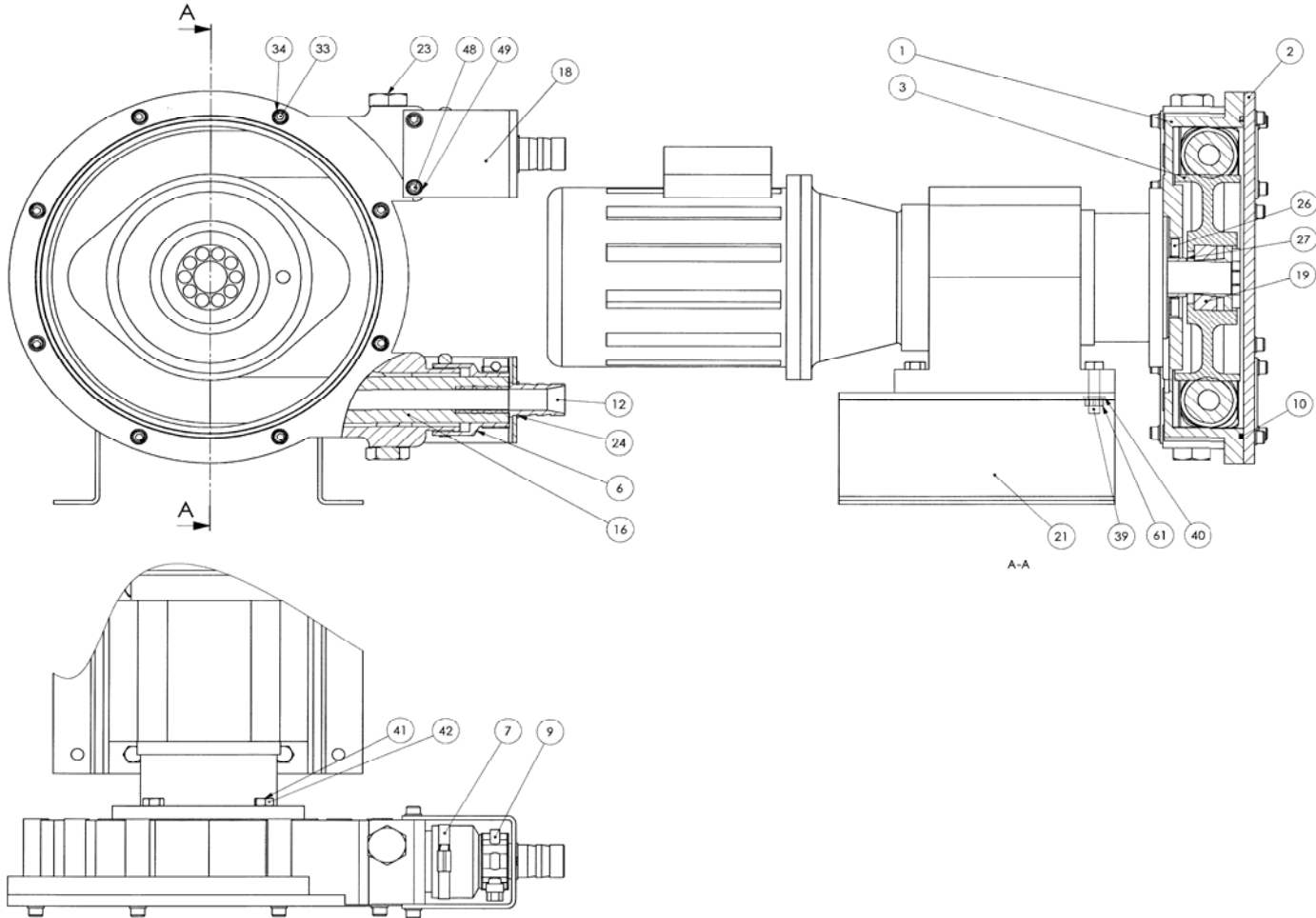


(See Instructions 1101-C00 for Installation, Operation and Maintenance)

Section	1101
Effective	December 2008
Replaces	December 2007



Reference			Description	Variants	Quantity		ARTICLE CODE	Wear parts
Ass.	Part	Available			Order	In Pump	A20	
	2	▲	Cover		1		220207	
	3	▲	Wheel		1		217288	
	10	▲	Cover seal		1		220199	•
	12	▲	Insert	Stainless steel	1		217304	
	12	▲	Insert	PPH	1		217305	
	12	▲	Insert	PVDF	1		217306	
	1100	▲	Lubricant - Glycerin	1 liter	1		314220.00	•
	1100	▲	Lubricant - Glycerin	2 liters	1		314221.00	•
	16	▲	Hose	NR	1		218941	•
	16	▲	Hose	NBR	1		218942	•
	16	▲	Hose	EPDM	1		218943	•
	18	▲	Bracket		1		217132	
	19	▲	Expansable taper lock		1		217778	

Reference			Description	Variants	Quantity		ARTICLE CODE	Wear parts	
Ass.	Part	Available			Order	In Pump	A20		
118	6	◆	<b>Boot + Hose clamp</b> Nipple		1	(2)	312818.00		
	7								(2)
	9								(2)
125	26	◆	<b>Shaft seal + bushing</b> Shaft seal		1	(1)	313023.00		
	27								(1)
130	71	◆	<b>Puncture detection kit</b> Fitting		1	(1)	312146.00		
	72								(1)
	73								(2)
	76								(1)
	77								(1)
	78								(1)
130	71	◆	<b>Puncture detection kit ATEX</b> Fitting		1	(1)	314462.00		
	72								(1)
	73								(2)
	76								(1)
	77								(1)
	78								(1)
	84								(1)

(◆) Sets of parts or (▲) parts available to order

Keep this parts lists with Installation, Operation and Maintenance Instructions

To order the required spare parts, indicate the appropriate CUM numbers.



Z.I. la Plaine des Isles - 2 rue des Caillottes F-89000 AUXERRE - FRANCE

Tel : +33 (0)3 86 49 86 30 • Fax : +33 (0)3 86 49 87 17

contact@mouvex.com • www.mouvex.com