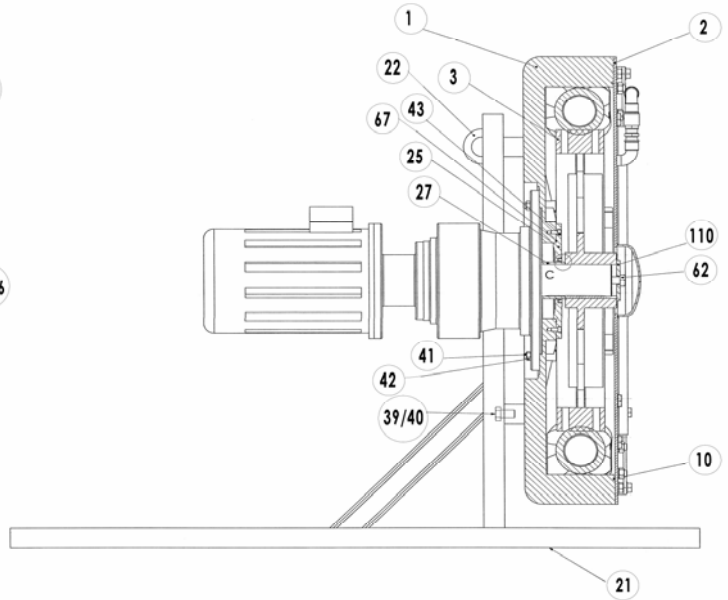
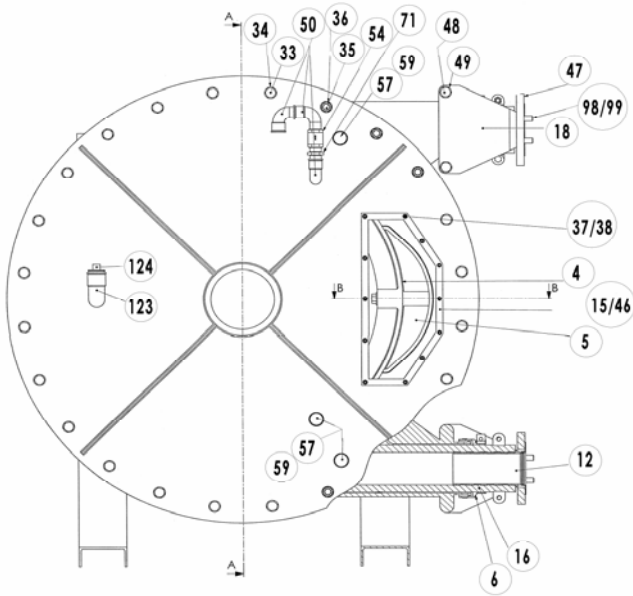
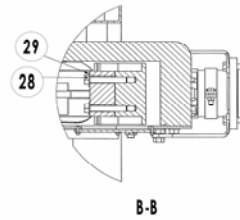
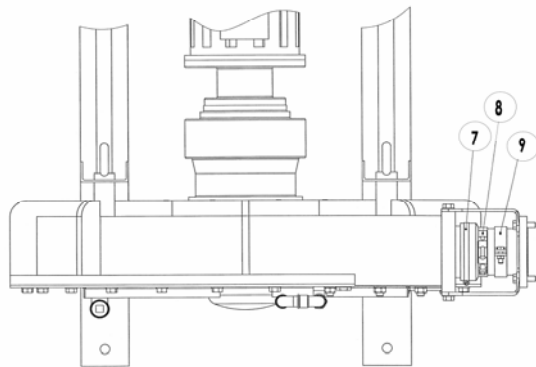


(See Instructions 1101-N00 for Installation, Operation and Maintenance)

Section	1101
Effective	December 2008
Replaces	December 2007



COUPE A-A



C

Reference			Description	Variants	Quantity		ARTICLE CODE	Wear parts
Ass.	Part	Available			Order	In Pump	A100	
	3	▲	Wheel		1		217295	
	10	▲	Cover seal		1		220204	•
	12	▲	Insert	Stainless steel	1		217331	
	1100	▲	Lubricant - Glycerin	10 liters	1		314223.00	•
	1100	▲	Lubricant - Glycerin	30 liters	1		314224.00	•
	15	▲	Window		1		220212	
	16	▲	Hose	NR	1		218748	•
	16	▲	Hose	NBR	1		218749	•
	16	▲	Hose	EPDM	1		218750	•
	18	▲	Bracket		1		219103	
	46	▲	Window seal		1		217400	
114		◆	Set of shims		1		312363.00	
	4		Removable shim			(8)		

Reference			Description	Variants	Quantity		ARTICLE CODE	Wear parts
Ass.	Part	Available			Order	In Pump	A100	
116		◆	Wheel fixation kit		1		312804.00	
		25	Tightness cover			(1)		
		26	Shaft seal			(1)		
		27	Seal ring			(1)		
		27a	Spacer			(1)		
		43	Screw			(10)		
		62	Screw			(1)		
		67	Seal			(1)		
		110	Washer			(1)		
118		◆	Boot + Hose clamp		1		312806.00	
		6	Nipple			(2)		
		8 9	Hose clamp Hose clamp			(2) (2)		
119		◆	Set of shoes		1		312809.00	
		4a	Fixed shim			(10)		
		4b 5	Fixed shim Shoe			(4) (2)		
125		◆	Shaft seal + bushing		1		313046.00	
		26 27	Shaft seal Seal ring			(1) (1)		
130		◆	Puncture detection kit		1		311839.00	
		50	Elbow			(1)		
		54	Valve			(1)		
		71	Fitting			(2)		
		72	Tee			(1)		
		73	Elbow			(1)		
		76	Fitting			(1)		
		77	Connector			(1)		
	78	Capacitive detector			(1)			
130		◆	Puncture detection kit ATEX		1		313746.00	
		50	Elbow			(1)		
		54	Valve			(1)		
		71	Fitting			(2)		
		72	Tee			(1)		
		73	Elbow			(1)		
		76	Fitting			(1)		
		77	Connector			(1)		
		78	Capacitive detector			(1)		
	84	Amplifier			(1)			

(◆) Sets of parts or (▲) parts available to order

Keep this parts lists with Installation, Operation and Maintenance Instructions

To order the required spare parts, indicate the appropriate CUM numbers.



Z.I. la Plaine des Isles - 2 rue des Caillottes F-89000 AUXERRE - FRANCE

Tel : +33 (0)3 86 49 86 30 • Fax : +33 (0)3 86 49 87 17

contact@mouvex.com • www.mouvex.com