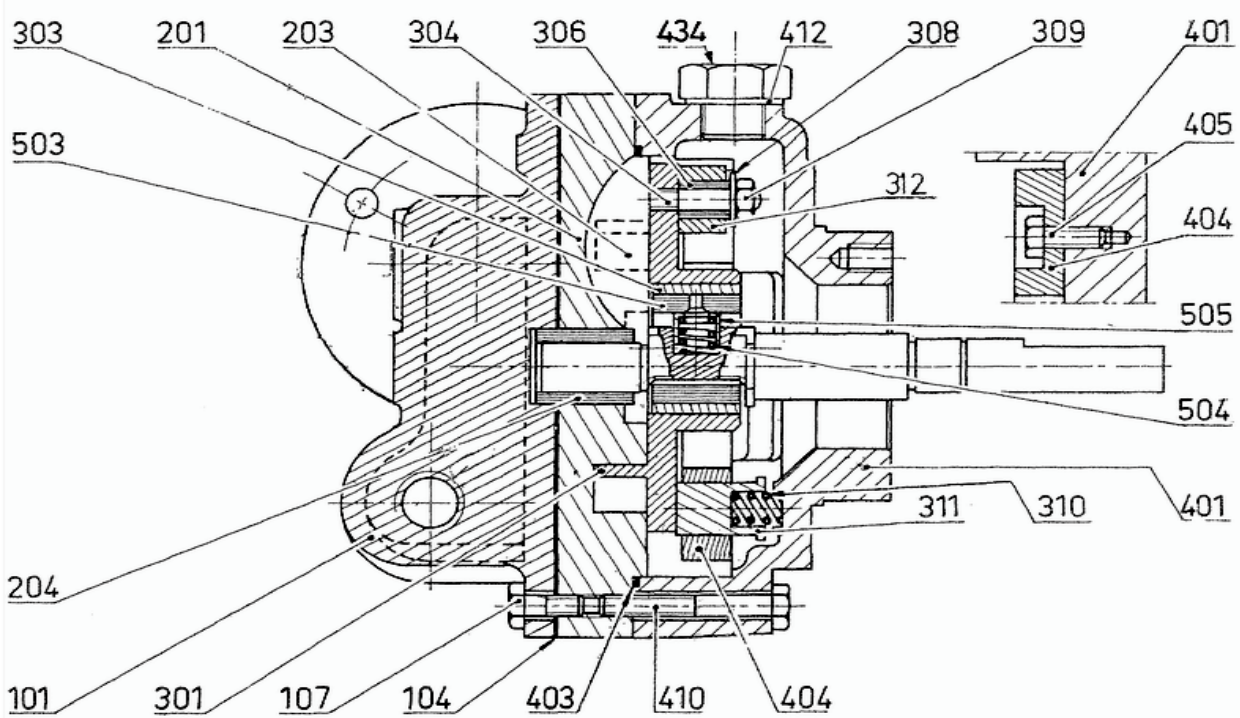


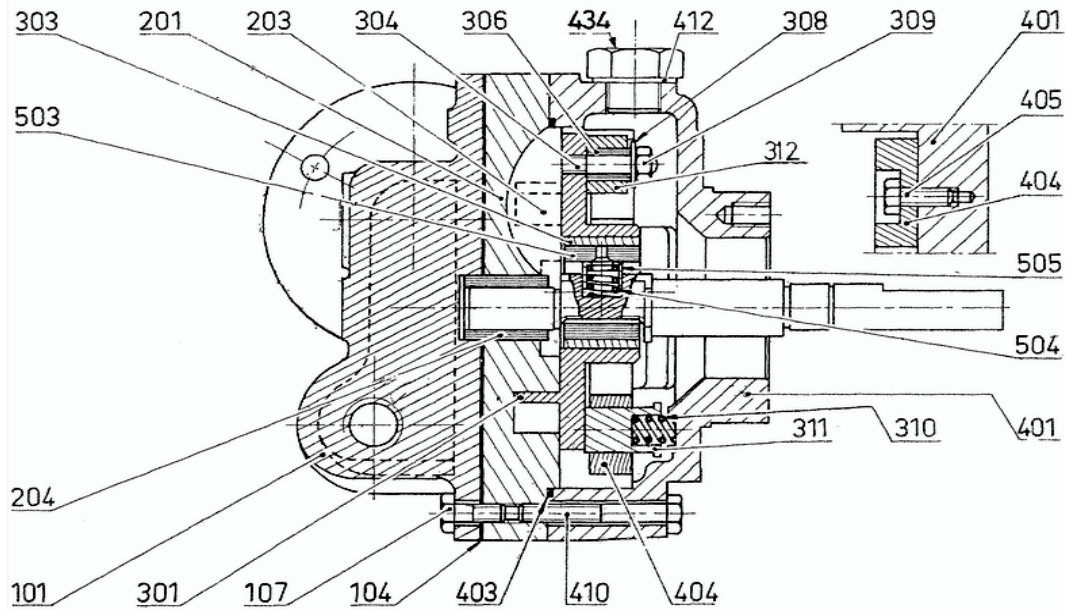
(See Instructions 1003-A00 for Installation, Operation and Maintenance)

Section	1003
Effective	July 2004
Replaces	



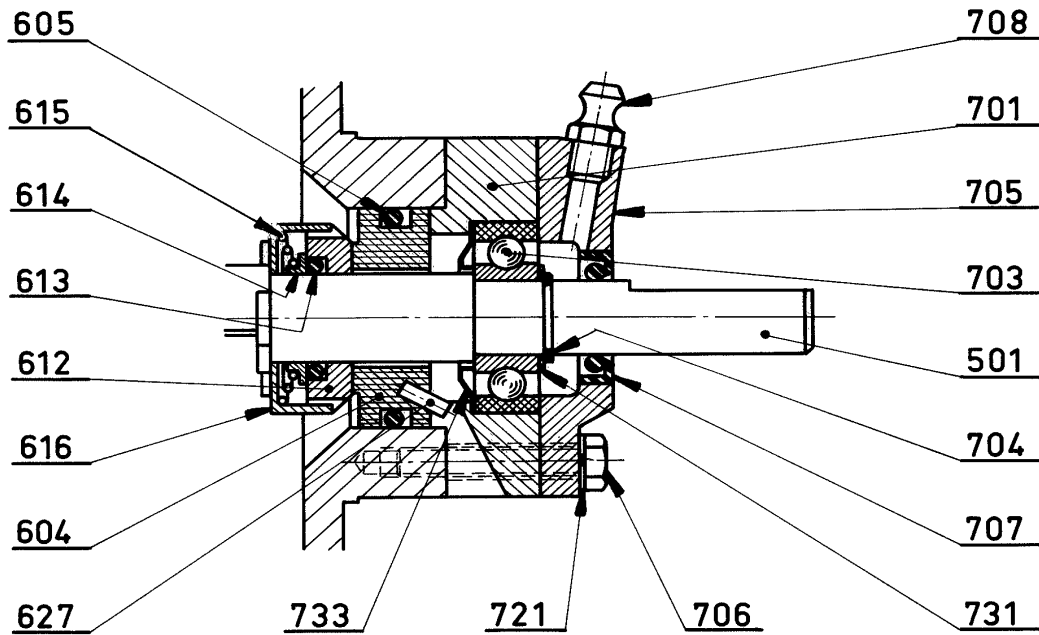
Reference			Description	Quantity		ARTICLE CODE		Wear parts
Ass.	Part	Available		Order	In Pump	AZ O	AZ I	
001	001 002	◆	Support foot pump complete Support foot pump Foot screw	1	1 (4)	300303.00		
98	107 410 706 721	◆	Full set of screws Screw Screw Screw Washer	1	(5) (5) (3) (3)	300239.00		
99		◆	Full set of seals - VITON®	1		300241.00		
99	104 403 412 1002	◆	Full set of seals - EPDM Gasket Front cover seal Seal Seal	1	(1) (1) (1) (1)	300242.00		
	101	▲	Main body	1		203453	207198	
200		◆	Cylinder, complete (Bronze bushing)	1		312644.00	312629.02	●
200	201	◆	Cylinder, complete (Carbon bushing)	1	(1)	307876.00	309165.02	●
	203		Cylinder		(1)			
	204	▲	Bulkhead	1		201237	201237	
	204	▲	Bronze bushing	1		211735	211735	
	204	▲	Carbon bushing	1				

(◆) Sets of parts or (▲) parts available to order



Reference			Description	Quantity		ARTICLE CODE		Wear parts
Ass.	Part	Available		Order	In Pump	AZ O	AZ I	
300		◆	Complete piston - Bronze bushing	1		302998.00	312630.02	●
300		◆	Complete piston - Carbon bushing	1		308328.00	308327.02	●
300		◆	Complete piston (drilled) - Bronze bushing	1		311172.02	312631.02	●
300		◆	Complete piston (drilled) - Carbon bushing	1		311186.02	311187.02	●
	301		Piston		(1)			
	303	▲	Piston bushing (bronze)	1		201239		●
	303	▲	Piston bushing (carbon)	1		211733		●
	315		Screw (for drilled piston)		(1)			
	398	◆	Slide block, complete	1		300243.00	300247.00	●
	304		Block pin		(1)			
	306		Bushing		(1)			
	308		Washer		(1)			
	309		Nut		(1)			
	312		Slide block		(1)			
400		◆	Complete front cover	1		300245.00	300248.00	
	401		Front cover		(1)			
	402	◆	Front bushing set complete	1		300244.00	300249.00	●
	310		Spring		(2)			
	311		Piston rear - support		(2)			
	404		Guide		(1)			
	405		Stud		(4)			
	411	◆	Front cover drain plug + seal	1		300302.00	300307.00	
	412		Seal		(1)			
	434		Drain plug		(1)			
	403	▲	Front cover seal - VITON®	1		200828		
	403	▲	Front cover seal - EPDM	1		200890		
500		◆	Shaft complete Monodir	1		312266.00	312267.02	
	501	▲	Shaft	1		219460	219462	
	503	▲	Piston bearing	1		203464	203465	●
	598	◆	Bearing spring complete	1		300238.00		
	504		Spring		(1)			
	505		Bushing		(1)			

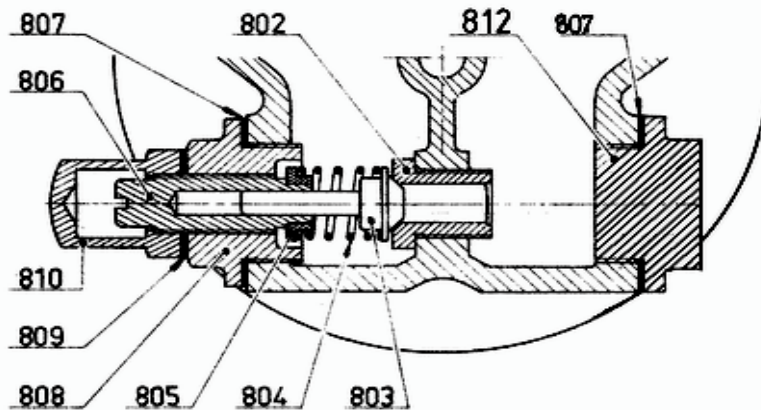
(◆) Sets of parts or (▲) parts available to order



Reference			Description	Quantity		ARTICLE CODE		Wear parts
Ass.	Part	Available		Order	In Pump	AZ O	AZ I	
600		◆	Mechanical seal - Monodir C/I VT	1		300271.00		●
600		◆	Mechanical seal - Monodir B/I VT	1		300267.00		●
600		◆	Mechanical seal - Monodir F/I VT	1		300265.00		●
	604		Stationary seal face		(1)			
	605		Seal		(1)			
	608		Washer (only for 300271.00)		(1)			
	612		Seal housing		(1)			
	613		Seal		(1)			
	614		Spring guide		(1)			
	615		Spring		(1)			
	616		Cage		(1)			
	627		Pin		(1)			
699		◆	Mechanical seal gasket set - VITON®	1		300259.00		
	605		Seal		(1)			
	613		Seal		(1)			
	704		Circlip		(1)			
	731		Washer		(1)			
	733		Protection circlip		(1)			
700		◆	Ball bearings complete	1		300256.00 300270.00		
	701		Bearing cage		(1)			
	703	▲	Ball bearing	1		200545		●
	705		Bearing cover		(1)			
	706		Screw		(3)			
	708		Grease nipple		(1)			
	721		Washer		(3)			
	797	◆	Ball bearing washers and gasket set	1		304118.02 304119.02		
	704		Circlip		(1)			
	707		Lip seal		(1)			
	731		Washer		(1)			
	733		Protection circlip		(1)			

C - Carbon : F - Cast Iron : B - Bronze : CT - Tungsten Carbide : VT - Viton® : CVT - Teflon encapsulated Viton®

(◆) Sets of parts or (▲) parts available to order



Reference			Description	Quantity		ARTICLE CODE		Wear parts
Ass.	Part	Available		Order	In Pump	AZ O	AZ I	
800		◆	Bypass complete	1		300283.00	300286.00	●
	804	▲	Spring	1		201171		
	810	▲	Bypass cap	1		203388		
	812	▲	Plug	1		204129	204570	
	897	◆	Set valve seat	1		300284.00		
	802		Valve seat		(1)			
	803		Valve		(1)			
	805		Spring guide		(1)			
	898	◆	Set adjusting screw	1		300285.00	300287.00	
	806		Adjusting screw		(1)			
	808		Adjusting screw housing		(1)			
	899	◆	Bypass gasket set	1		300281.00		
	807		Seal		(1)			
	809		Cap seal		(1)			
	848		Seal		(1)			
849		◆	Complete stirrup	1		300305.00	300306.00	
	811		Bypass plug		(1)			
	807		Seal		(2)			
	812		Plug		(2)			

(◆) Sets of parts or (▲) parts available to order

Keep this parts lists with Installation, Operation and Maintenance Instructions

Viton® is registered trademark of E.I. DuPont.

To order the required spare parts, indicate the appropriate CUM numbers

blackmer
PEOPLE PROVIDING FLOW TECHNOLOGY WORLDWIDE™

ZI la Plaine des Isles - 2 Rue des Caillottes 89000 AUXERRE - FRANCE

Tél. : +33 3.86.49.86.40 or +33 3 86.49.87.09 - Fax : +33 3.86.49.87.17

E-Mail : contact@blackmer-mouvex.com Internet : www.blackmer.com