

TECHNICAL INSTRUCTIONS	214(e)
Revision	E

SPECIAL PARTS FOR PUMPS WITH JACKET TYPES AF AK...

INSTALLATION

OPERATION

MAINTENANCE

**BLACKMER
ZI PLAINE DES ISLES
F- 89000 AUXERRE**

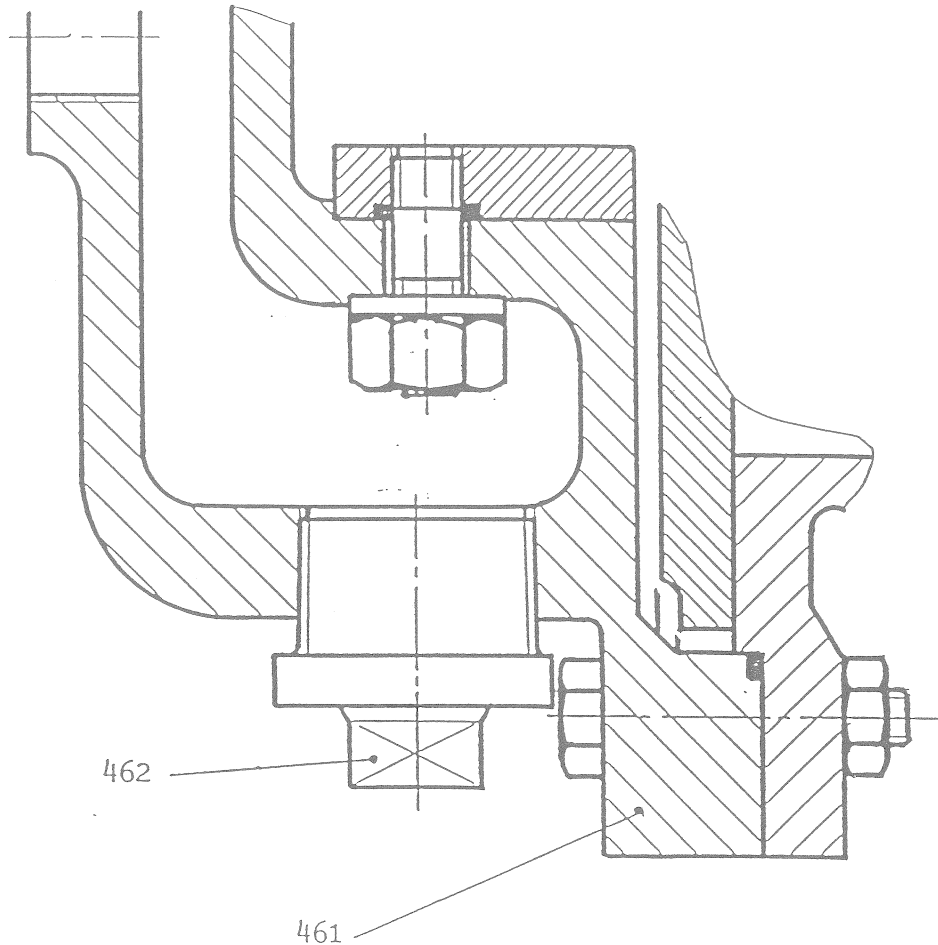
Technical Assistance / RepairTél. : 03.86.49.86.03
.....Fax : 03.86.49.86.48
Spare parts / AdviceTél. : 03 86.49.86.02
.....Fax : 03.86.49.86.28
e-mail : contact@blackmer-mouvex.com

BLACKMER GmbH

**Auf dem Zehnthöbel 22
D-64572 BUTTELBORN - WORFELDEN**

Tel :+49/6152/9869-0
Fax :+49/6152/9869-10
e-mail : willkommen@blackmer-mouvex.com

Votre distributeur / Your distributor / Ihr händler



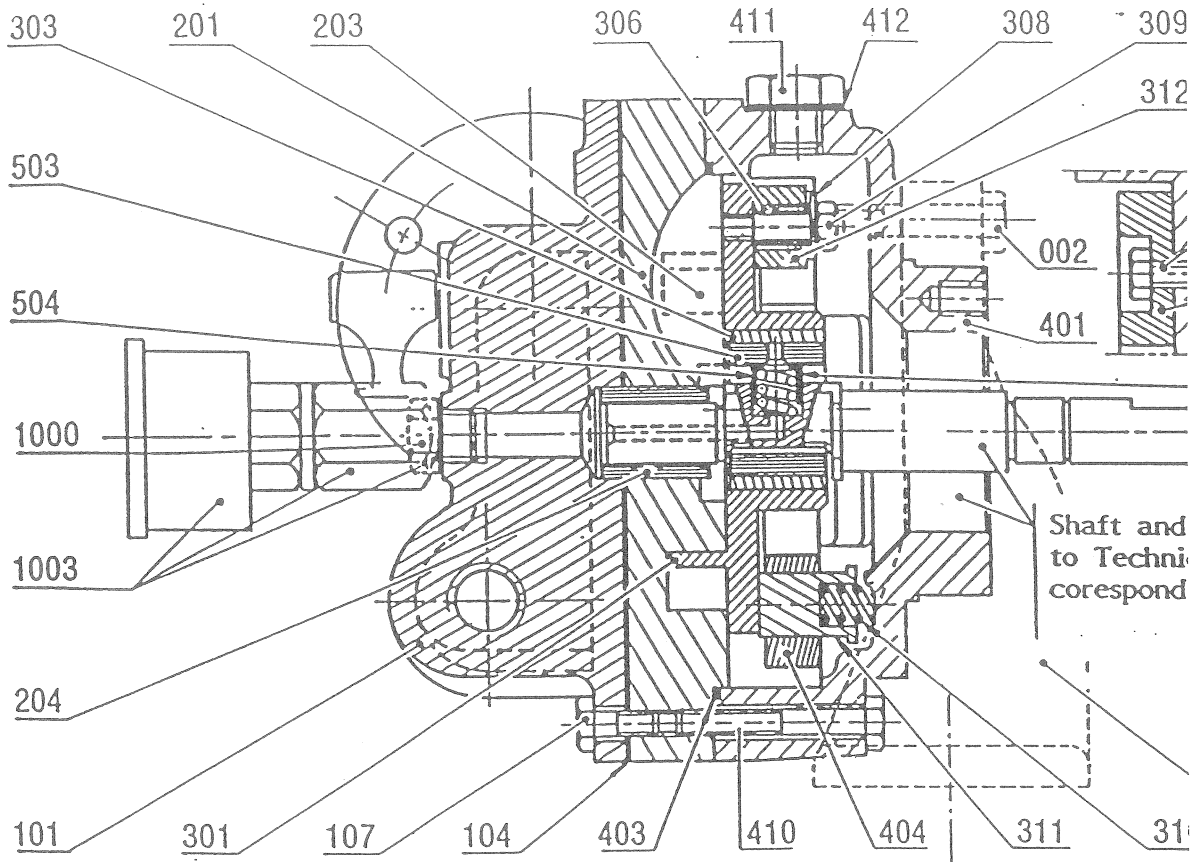
Use vapour or liquid at 300°C under 8 bar max.
Except for following parts refer to Technical form corresponding to pump type.

Key : * = Assemblies and parts available for supply.

REF	Nb.	PART NAME
* 460	1	END PLATE WITH JACKET COMPLETE
461	1	End plate with jacket
462	2	Draining plug

NOTE - When ordering spare parts mention :

- the TYPE and SERIAL NUMBER of the pump (stamped on the pump plate)
- the Technical form n° 214e
- the REFERENCE and NAME of the parts required (only parts whose index number is preceded by (*) can be supplied).



REP.	Nb.	DESIGNATION
* 101	1	CASING
104	1	Gasket (see 099)
107	5	Screw (see 098)
* 1003	1	COCK-TYPE LUBRICATOR, COMPLETE
1002	1	Gasket (see 099)
1004	1	Lubricator
1005	1	Cock-type
* 1000	1	APG CUP, COMPLETE -option
1001	1	Cup
1002	1	Gasket (see 099)