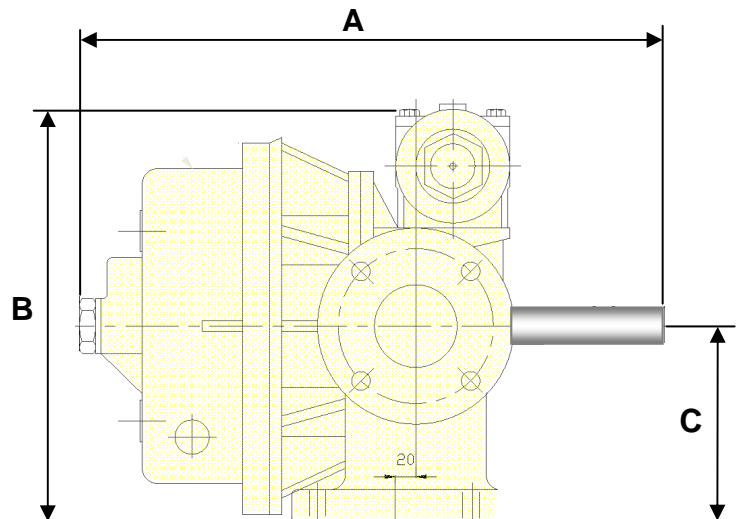
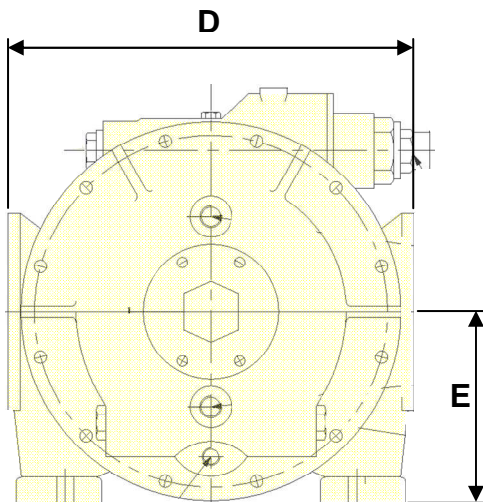


CHARACTERISTICS

| | STANDARD | AVAILABLE OPTIONS |
|---|------------------------|-------------------|
| Technology | Eccentric Disc Mouvex® | |
| Maximum Flow rate at 1 cSt m³/h (GPM) | 50 (220) | |
| Cubic capacity L (cu.in) | 2.56 (156.22) | |
| Internal relief valve | With | Double, Without |
| Rotation | Reversible | |
| Ports | Flanges | |
| Heating | None | Heating jacket |
| Dimensions mm (in.) | A 570 (22.44) | |
| | B 475 (18.7) | |
| | C 225 (8.86) | |
| | D 450 (17.72) | |
| | E 225 (8.86) | |
| Weight kg (lbs) | 150 (331) | |



OPERATING LIMITS

| | STANDARD MATERIALS |
|---|--------------------|
| Minimum temperature °C (°F) | -10 (14) |
| Maximum temperature °C (°F) | 150 (302) |
| Maximum viscosity cSt (SSU) | 15000 (69500) |
| Maximum differential pressure bar (psi) | 5 (72) |
| Maximum speed (rpm) | 350 |

MATERIALS OF CONSTRUCTION

| Part No | PART NAME | STANDARD MATERIALS | AVAILABLE OPTIONS |
|---------|-----------------|----------------------------|--|
| 101 | Main Body | Cast iron | |
| 201 | Cylinder | Cast iron | |
| 301 | Disc | Ductile iron | |
| 401 | Front cover | Cast iron | |
| 501 | Shaft | Carbon steel | |
| | Bushings | Carbon | Bronze |
| | Static O-rings | FKM | EPDM |
| | Mechanical seal | Carbon/stainless steel/FKM | Carbon/stainless steel/FEP Bronze/stainless steel/FKM Bronze/stainless steel/FEP Tungsten carbide/Tung. C / FKM Tungsten carbide/Tung. C / FEP |

