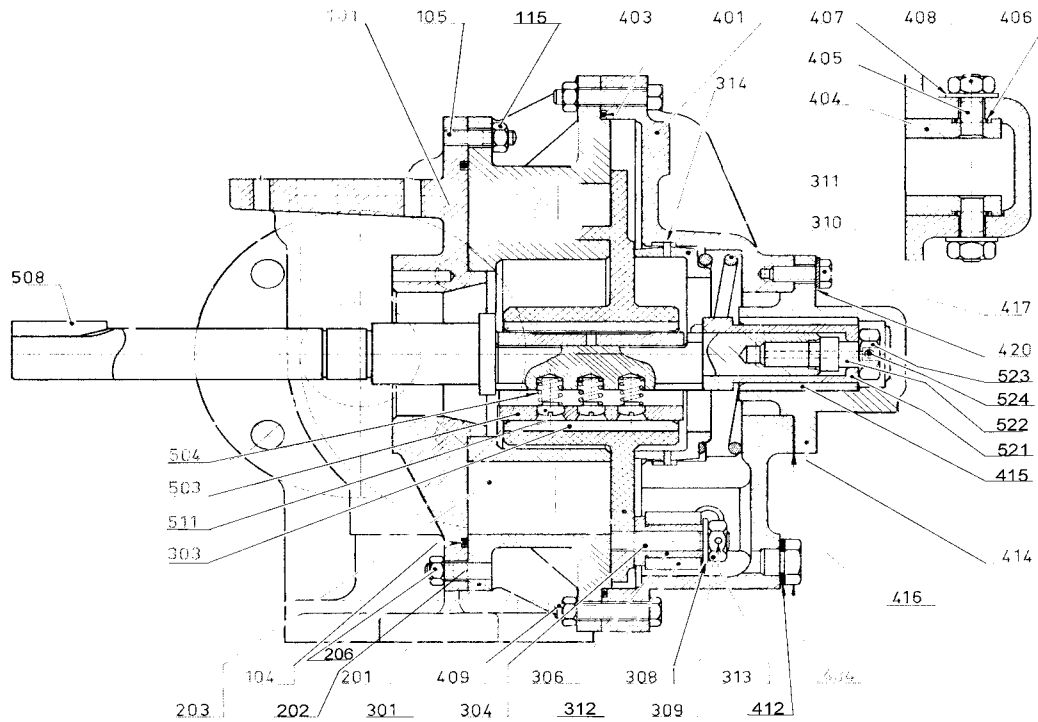


(See Instructions 1003-F00 for Installation, Operation and Maintenance)

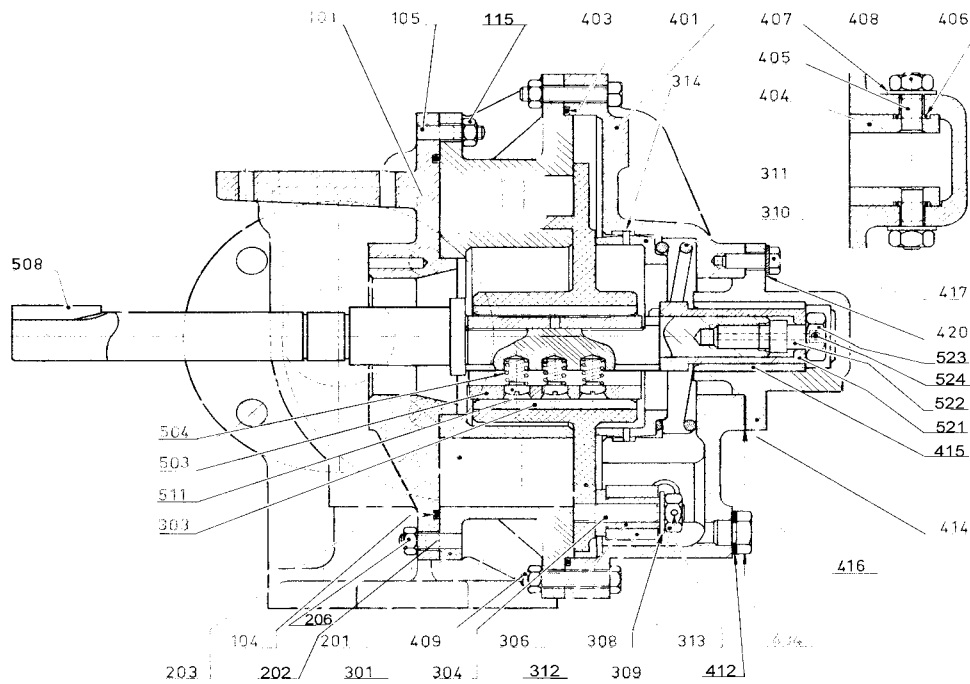
Section Effective Replaces	1003 July 2004
----------------------------	-------------------



Reference			Description	Quantity		ARTICLE CODE	Wear parts
Ass.	Part	Available		Order	In Pump	AK O HP	
98		◆	<b>Full set of screws</b>	1		<b>300007.00</b>	
	105		Stud		(7)		
	115		Nut		(7)		
	202		Stud		(3)		
	206		Nut		(3)		
	409		Screw		(8)		
	409a		Nut		(8)		
	417		Screw		(4)		
	420		Washer		(4)		
98		◆	<b>Full set of screws (Heating jacket)</b>	1		<b>300017.00</b>	
	105		Stud		(7)		
	115		Nut		(7)		
	202		Stud		(3)		
	206		Nut		(3)		
	409		Screw		(16)		
	409a		Nut		(16)		
	417		Screw		(4)		
	420		Washer		(4)		
99		◆	<b>Full set of seals - VITON®</b>	1		<b>300009.00</b>	
99		◆	<b>Full set of seals - VITON® (Heating jacket)</b>	1		<b>304076.01</b>	
99		◆	<b>Full set of seals - EPDM</b>	1		<b>300011.00</b>	
	104		Gasket		(1)		
	403		Front cover seal		(1)		
	406		Seal		(2)		
	412		Seal		(1)		
	416		Gasket		(1)		

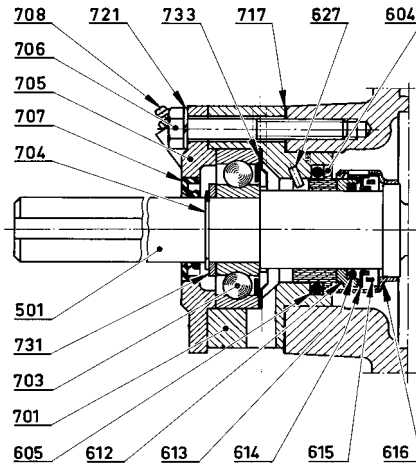
(◆) Sets of parts or (▲) parts available to order





Reference			Description	Quantity		ARTICLE CODE	Wear parts
Ass.	Part	Available		Order	In Pump	AK O HP	
400		◆	<b>Complete front cover - VITON®</b>	1		300136.00	
460		◆	<b>Complete front cover with jacket</b>	1		304053.01	
400		◆	<b>Complete front cover - EPDM</b>	1		300134.00	
	401		Front cover		(1)		
	461		Jacketed front cover		(1)		
	462		Jacket drain plug		(2)		
	402	◆	Front bushing set - VITON®	1		300010.00	•
	402	◆	Front bushing set - Teflon encapsulated VITON®	1		300016.04	•
	402	◆	Front bushing set - EPDM	1		300012.00	•
	404		Guide		(2)		
	405		Stud		(2)		
	406		Seal		(2)		
	407		Washer		(2)		
	408		Nut		(2)		
	411	◆	Front cover drain plug + seal	1		300036.00	
	412		Seal		(1)		
	434		Drain plug		(1)		
	403	▲	Front cover seal - VITON®	1		200837	
	403	▲	Front cover seal - EPDM	1		200898	
413		◆	<b>Front cover bearing complete - Bronze bushing</b>	1		300006.00	
413		◆	<b>Front cover bearing complete - Carbon bushing</b>	1		308301.00	
	414		End-plate bearing		(1)		
	415	▲	Bearing bushing - Bronze	1		201536	•
	415	▲	Bearing bushing - Carbon	1		211656	•
	416		Gasket		(1)		
	417		Screw		(4)		
	420		Washer		(4)		
500		◆	<b>Shaft Blocdir complete</b>	1		312272.01	
	501	▲	Shaft	1		219467	
	503	▲	Piston bearing	1		203567	•
	508	▲	Key	1		203855	
	598	◆	Bearing spring complete	1		300144.00	
	504		Spring		(3)		
	511		Screw		(3)		
	515	◆	Complete sleeve	1		300145.00	•
	521		Sleeve		(1)		
	522		Screw		(1)		
	523		Nut		(1)		
	524		Pin		(1)		

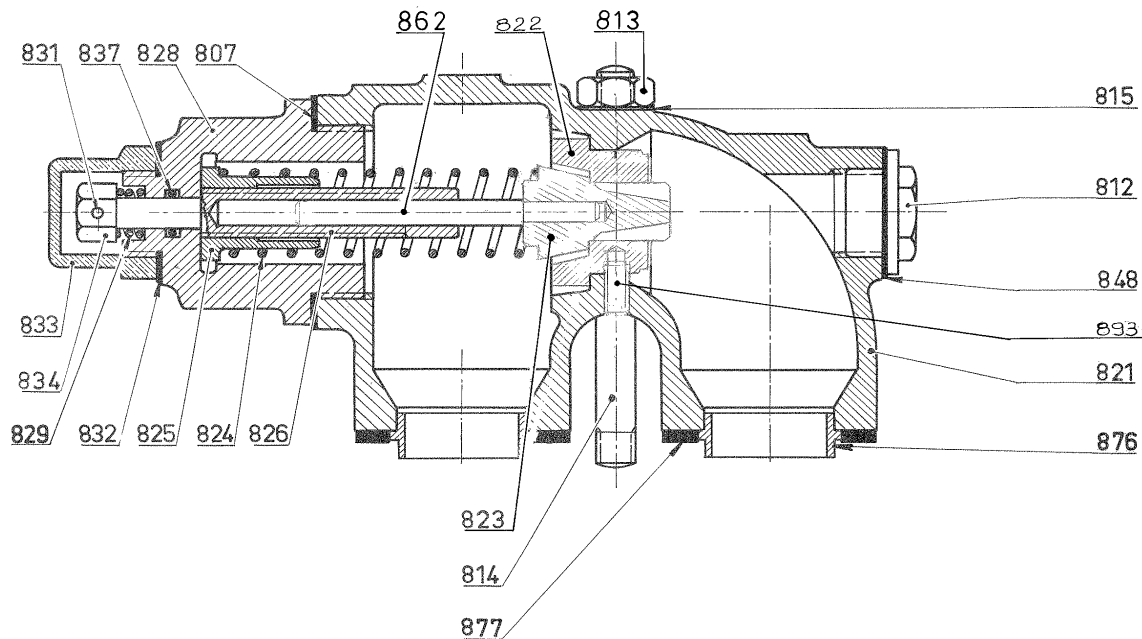
(◆) Sets of parts or (▲) parts available to order



Reference			Description	Quantity		ARTICLE CODE	Wear parts
Ass.	Part	Available		Order	In Pump	AK O HP	
600		◆	Mechanical seal - Blocdir C// VT	1		300054.00	•
600		◆	Mechanical seal - Blocdir B// VT	1		300068.00	•
600		◆	Mechanical seal - Blocdir F// VT	1		300069.00	•
600		◆	Mechanical seal - Blocdir CT/CT VT	1		303231.00	•
600		◆	Mechanical seal - Blocdir C// CVT	1		307539.01	•
600		◆	Mechanical seal - Blocdir B// CVT	1		306326.00	•
600		◆	Mechanical seal - Blocdir F// CVT	1		306327.00	•
600		◆	Mechanical seal - Blocdir CT/CT CVT	1		308197.01	•
	610	◆	Stationary seal face complete - Blocdir C VT	1		300151.00	•
	610	◆	Stationary seal face complete - Blocdir B VT	1		300157.00	•
	610	◆	Stationary seal face complete - Blocdir F VT	1		300158.00	•
	610	◆	Stationary seal face complete - Blocdir CT VT	1		303228.00	•
	610	◆	Stationary seal face complete - Blocdir C CVT	1		304605.00	•
	610	◆	Stationary seal face complete - Blocdir B CVT	1		304606.00	•
	610	◆	Stationary seal face complete - Blocdir F CVT	1		304607.00	•
	610	◆	Stationary seal face complete - Blocdir CT CVT	1		308199.01	•
	604		Stationary seal face		(1)		
	605		Seal		(1)		
	697	◆	Rotating part - Blocdir VT	1		300057.00	•
	697	◆	Rotating part - Blocdir CVT	1		307040.00	•
	697	◆	Rotating part - Blocdir CT VT	1		303230.00	•
	697	◆	Rotating part - Blocdir CT CVT	1		308259.00	•
	612		Seal housing		(1)		
	613		Seal		(1)		
	614		Spring guide		(1)		
	615		Spring		(1)		
	616		Cage		(1)		
	619		Seal mounting tool (for CVT)		(1)		
698		◆	Full set of mounting screws	1		300043.00	
	706		Screw		(4)		
	721		Washer		(4)		
699		◆	Mechanical seal gasket set - VITON®	1		300059.00	
699		◆	Mechanical seal gasket set - CVT	1		305130.00	
	605		Seal		(1)		
	613		Seal		(1)		
	619		Seal mounting tool (for CVT)		(1)		
700		◆	Ball bearings complete	1		300042.00	
	627	▲	Pin	1		200139	
	701		Bearing cage		(1)		
	703	▲	Ball bearing	1		212312	•
	705		Bearing cover		(1)		
	706		Screw		(4)		
	708		Grease nipple		(1)		
	721		Washer		(4)		
	797	◆	Ball bearing washers and gasket set	1		300148.00	
	704		Circlip		(1)		
	707		Lip seal		(1)		
	717		Cage seal		(1)		
	731		Washer		(1)		
	733		Protection circlip		(1)		

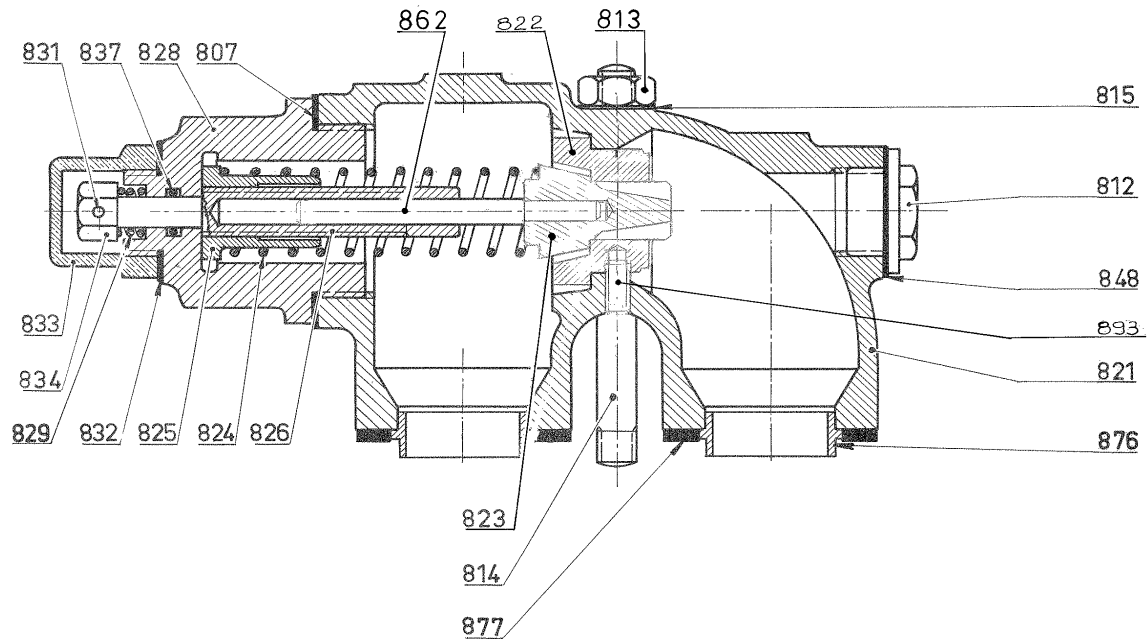
C - Carbon : F - Cast Iron : B - Bronze : CT - Tungsten Carbide : VT - Viton® : CVT - Teflon encapsulated Viton®

(◆) Sets of parts or (▲) parts available to order



Reference			Description	Quantity		ARTICLE CODE	Wear parts
Ass.	Part	Available		Order	In Pump	AK O HP	
820		◆	Bypass C/4 complete - VITON®	1		306238.01	
820		◆	Bypass C/4 complete - EPDM	1		306239.01	
	870	◆	Bypass body complete	1		301742.00	
	812		Plug		(1)		
	821		Bypass body		(1)		
	848		Seal		(1)		
	824	▲	Spring n°4	1		201183	
	869	◆	Bypass cap and gasket	1		300174.00	
	832		Seal		(1)		
	833		Cap		(1)		
	878	◆	Centering set	1		300173.00	
	876		Centering piece		(2)		
	877		Centering gasket		(2)		
	897	◆	Adjusting screw/valve set - VITON®	1		306242.00	•
	897	◆	Adjusting screw/valve set - EPDM	1		306243.01	•
	807		Seal		(1)		
	825		Spring guide		(1)		
	826		Adjusting screw		(1)		
	828		Nut		(1)		
	829		Spring		(1)		
	831		Pin		(1)		
	834		Adjustment nut		(1)		
	837		Seal		(1)		
	864	◆	Complete valve	1		301744.00	
	823		Compensated valve		(1)		
	862		Valve guide rod		(1)		
	863		Valve securing pin		(1)		
	899	◆	Bypass gasket set - VITON®	1		301631.00	
	899	◆	Bypass gasket set - EPDM	1		300089.00	
	807		Seal		(1)		
	829		Spring		(1)		
	831		Pin		(1)		
	832		Seal		(1)		
	837		Seal		(2)		
	848		Seal		(1)		
	877		Centering gasket		(2)		

(◆) Sets of parts or (▲) parts available to order



Reference			Description	Quantity		ARTICLE CODE	Wear parts
Ass.	Part	Available		Order	In Pump	AK O HP	
VARIATIONS							
			<b>COMPLETE COMPENSATED DOUBLE BYPASS</b>	The body is different to the standard compensated bypass. The other parts are the same but doubled			
820a		◆	<b>Double bypass C/4 complete - VITON®</b>	1		<b>306240.01</b>	
820a		◆	<b>Double bypass C/4 complete - EPDM</b>	1		<b>306241.01</b>	
	870a	◆	Double bypass body complete			301745.00	
	821a		Double bypass body		(1)		
849		◆	<b>Complete stirrup</b>	1		<b>301633.00</b>	
	852		Stirrup		(1)		
	854		Plug		(2)		
	855		Seal		(2)		
To mount a bypass in place of a stirrup will require							
	817	◆	Mounting kit	1		300121.00	
	813		Nut		(2)		
	814		Stud		(2)		
	815		Washer		(2)		

(◆) Sets of parts or (▲) parts available to order

Keep this parts lists with Installation, Operation and Maintenance Instructions

Viton® is registered trademark of E.I. DuPont.

To order the required spare parts, indicate the appropriate CUM numbers

**blackmer**  
PEOPLE PROVIDING FLOW TECHNOLOGY WORLDWIDE™

ZI la Plaine des Isles - 2 Rue des Caillottes 89000 AUXERRE - France

Tél. : +33 3.86.49.86.40 or +33 3 86.49.87.09 - Fax : +33 3.86.49.87.17

E-Mail : [contact@blackmer-mouvex.com](mailto:contact@blackmer-mouvex.com) Internet : [www.blackmer.com](http://www.blackmer.com)