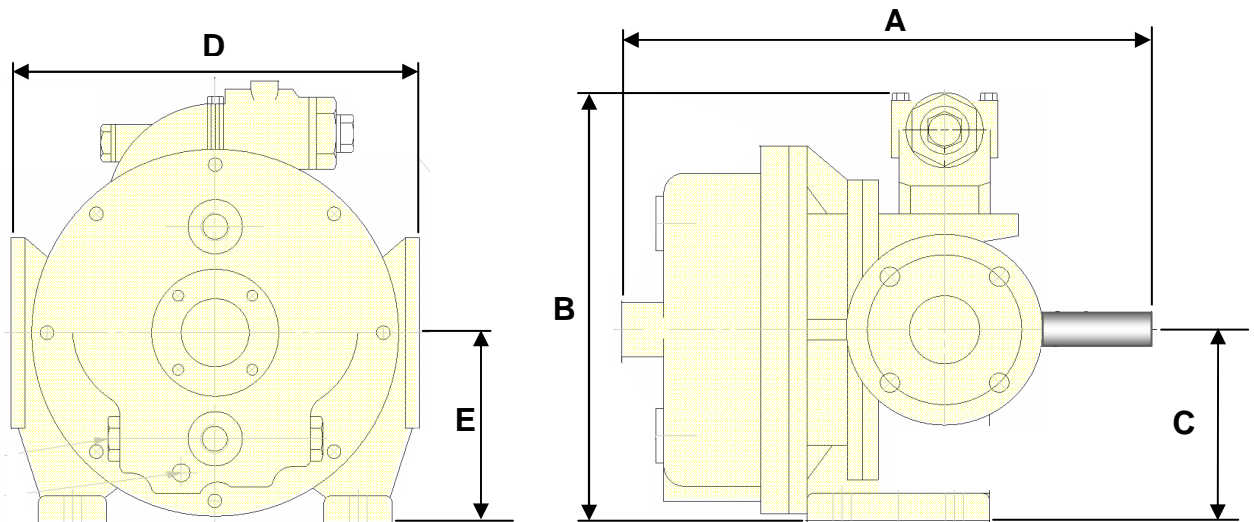


CHARACTERISTICS

		STANDARD	AVAILABLE OPTIONS
Technology		Eccentric Disc Mouvex®	
Maximum Flow rate at 1 cSt m³/h (GPM)		6 (26.4)	
Cubic capacity L (cu.in)		0.195 (11.9)	
Internal relief valve		With	Double, Without
Rotation		Reversible	
Ports		Flanges	
Heating		None	Heating jacket
Dimensions mm (in.)	A	377 (14.84)	
	B	325 (12.8)	
	C	140 (5.51)	
	D	300 (11.81)	
	E	140 (5.51)	
Weight kg (lbs)		41 (90.39)	



OPERATING LIMITS

	STANDARD MATERIALS
Minimum temperature °C (°F)	-10 (14)
Maximum temperature °C (°F)	150 (302)
Maximum viscosity cSt (SSU)	15000 (69500)
Maximum differential pressure bar (psi)	10 (145)
Maximum speed (rpm)	500

MATERIALS OF CONSTRUCTION

Part No	PART NAME	STANDARD MATERIALS	AVAILABLE OPTIONS
101	Main Body	Cast iron	
201	Cylinder	Cast iron	
301	Disc	Ductile iron	
401	Front cover	Cast iron	
501	Shaft	Carbon steel	
	Bushings	Carbon	Bronze
	Static O-rings	FKM	EPDM
	Mechanical seal	Carbon/stainless steel/FKM	Carbon/stainless steel/FEP Bronze/stainless steel/FKM Bronze/stainless steel/FEP Tungsten carbide/Tung. C / FKM Tungsten carbide/Tung. C / FEP

