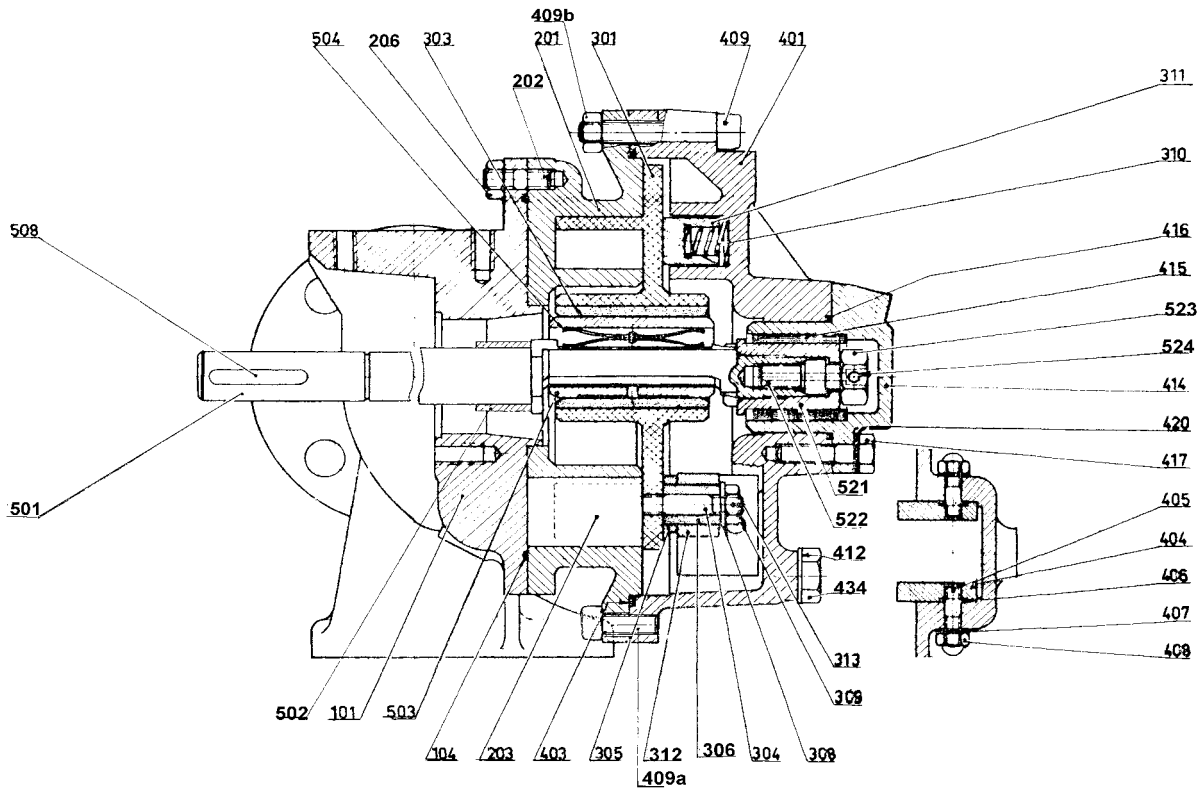


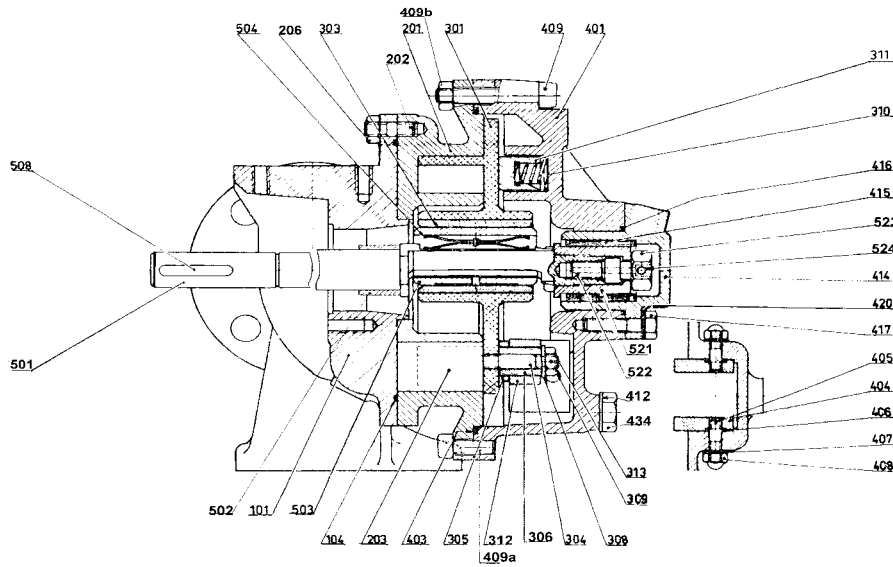
(See Instructions 1003-D00 for Installation, Operation and Maintenance)

Section	1003
Effective	July 2004
Replaces	



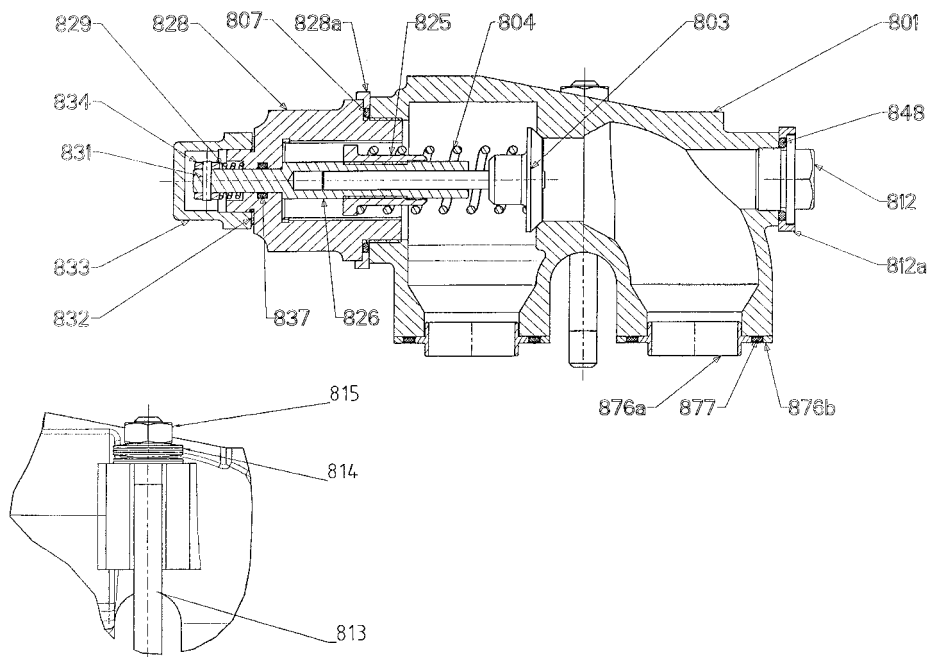
Reference			Description	Quantity		ARTICLE CODE	Wear parts
Ass.	Part	Available		Order	In Pump	AF HT	
99		◆	Full set of screws / seals	1		311705.00	
	104		Gasket		(1)		
	202		Stud		(8)		
	206		Nut		(8)		
	403		Front cover seal		(1)		
	405		Stud		(2)		
	406		Seal		(2)		
	407		Washer		(2)		
	408		Nut		(2)		
	409		Screw		(6)		
	409a		Nut		(6)		
	409b		Stud		(6)		
	411		Front cover drain plug + seal		(1)		
	412		Seal		(1)		
	434		Drain plug		(1)		
	416		Gasket		(1)		
	417		Screw		(4)		
	420		Washer		(4)		
	1000		Plug		(1)		
	1001		Plug		(1)		
	1002		Seal		(1)		

(◆) Sets of parts or (▲) parts available to order



Reference			Description	Quantity		ARTICLE CODE	Wear parts	
Ass.	Part	Available		Order	In Pump	AF HT		
100		◆	Main body, complete	1		300489.04		
		101	Main body		(1)			
		817	◆	Mounting kit	1		300490.00	
		813		Nut		(2)		
		814		Stud		(8)		
		815		Washer		(2)		
	877		Centering gasket		(2)			
200		◆	Cylinder, complete	1		311303.04	●	
		201	Cylinder		(1)			
		202		Stud		(8)		
		203	▲	Bulkhead	1		201360	
	206		Nut		(8)			
300		◆	Complete piston	1		311568.04	●	
		301	Piston		(1)			
		303	▲	Piston bushing	1		218281	●
		398	◆	Slide block, complete	1		300456.00	
		304		Block pin		(1)		
		308		Washer		(1)		
		309		Nut		(1)		
		307	◆	Slide block + pin + bushing	1		300459.00	●
		306		Bushing		(1)		
		312		Slide block		(1)		
	313		Pin		(1)			
399		◆	Guide block, complete	1		300462.00		
		310	Spring		(3)			
	311		Piston rear - support		(3)			
400		◆	Complete front cover	1		300491.04	●	
		401	Front cover		(1)			
		402	◆	Front bushing set	1		300492.04	●
		404		Guide		(2)		
		405		Stud		(2)		
		406		Seal		(2)		
		407		Washer		(2)		
		408		Nut		(2)		
		411	◆	Front cover drain plug + seal	1		300036.00	
		412		Seal		(1)		
	434		Drain plug		(1)			
	403	▲	Front cover seal	1		216311		
413		◆	Front cover bearing complete	1		311302.04	●	
		414	End-plate bearing		(1)			
		415	▲	Bushing	1		218286	●
		416		Gasket		(1)		
		417		Screw		(4)		
		420		Washer		(4)		
		1000		Plug		(1)		

(◆) Sets of parts or (▲) parts available to order



Reference			Description	Quantity		ARTICLE CODE	Wear parts
Ass.	Part	Available		Order	In Pump	AF HT	
800		◆	Bypass complete - HT	1		300572.04	
	801		Bypass body		(1)		
	803		Valve		(1)		
	804	▲	Spring	1		201179	
	812		Plug		(1)		
	812a		Bushing		(1)		
	825		Spring guide		(1)		
	826		Adjusting screw		(1)		
	828		Nut		(1)		
	828a		Seat (only available in construction I)		(1)		
	833		Plug (only available in construction I)		(1)		
	834		Adjustment nut				
	899	◆	Bypass gasket set - HT	1		300549.04	
	807		Seal		(1)		
	829		Spring		(1)		
	831		Pin		(1)		
	832		Seal		(1)		
	837		Seal		(1)		
	848		Seal		(1)		
	876a		Internal centering		(2)		
	876b		External centering		(2)		
	817	◆	Mounting kit	1		300490.00	
	813		Nut		(2)		
	814		Stud		(8)		
	815		Washer		(2)		
	877		Centering gasket		(2)		

(◆) Sets of parts or (▲) parts available to order

Keep this parts lists with Installation, Operation and Maintenance Instructions

Viton® and Teflon® are registered trademarks of E.I. DuPont.

To order the required spare parts, indicate the appropriate CUM numbers

blackmer
PEOPLE PROVIDING FLOW TECHNOLOGY WORLDWIDE™

ZI la Plaine des Isles - 2 Rue des Caillottes 89000 AUXERRE - FRANCE

Tél. : +33 3.86.49.86.40 or +33 3 86.49.87.09 - Fax : +33 3.86.49.87.17

E-Mail : contact@blackmer-mouvex.com Internet : www.blackmer.com