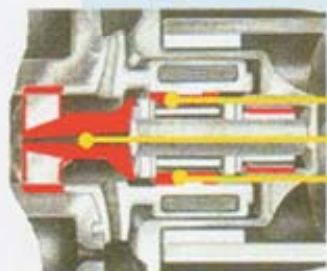


# WORLD CHEMICAL

## COMPACT HIGH PERFORMANCE MAGNETIC DRIVE PUMP

**YD-16GS/GSH** *High Pressure*

**YD-20GS/GSH** *High Pressure*



**Strong Construction against dry running!**  
**Patented PPS bearing and the internal design radiates and insulates heat**

*Features*

- Compact/High pressure
- Low maintenance/Long life
- Original motor seal construction for extra durability
- Magnetic Coupling

**PATENTED  
WORLDWIDE**

USA: No.5154587

Japan: No.2550398  
No.2064519

Korea: No.15494

Europe: No.0447709B1

## MODEL DESIGNATION

# YD - 16 GS - S

BORE

MODEL

CONNECTION

ID: Suction ID: Discharge

**16:** 20mm (3/4") x 16mm (5/8")  
**20:** 20mm (3/4") x 20mm (3/4")

Material Type

**GS** : (GFR PP) Standard  
**GSH** : (GFR PP) High pressure  
**GSF(H)** : (CFR ETFE) Standard and High pressure

**S** : Thread (1"x1"/G1XG1)

**U** : Union (20A x 20A)

**F** : Flange (25A x 25A)

**H** : Hose (1"x1" [26mmx26mm])

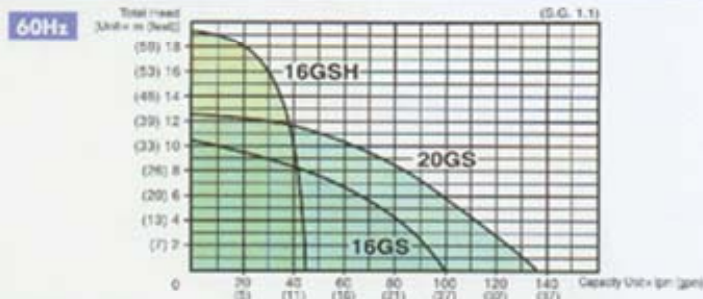
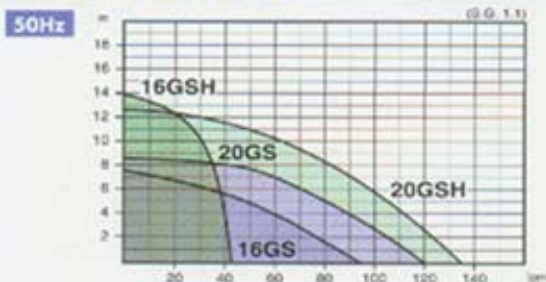
\* 3/8" x 1/2" Thread available upon request

## SPECIFICATION

Model	50Hz				60Hz			
	Max Head m	Max Capacity l/min	Performance at specified point m <sup>3</sup> /min	Motor Output W	Max Head ft. (m)	Max Capacity gpm (lpm)	Performance at specified point ft. gpm (m <sup>3</sup> /min)	Motor Output HP (W)
YD-16GS	7.4	92	5-50	180	34 (10.2)	27 (100)	21-16 (6.5-60)	1/4 (180)
YD-20GS	8.8	120	7-60	260	41 (12.4)	36 (135)	31-19 (9.5-70)	1/3 (260)
YD-16GSH	13.9	42	12-24	260	63 (19.2)	12 (45)	56-7 (17-25)	1/3 (260)
YD-20GSH	12.7	135	9.5-70	260	—	—	—	—

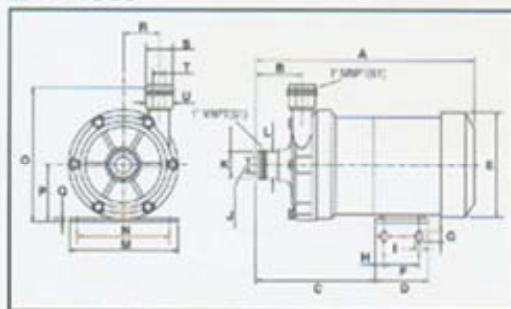
\*YD-20GSH: Not available in 60Hz.

## PERFORMANCE CURVE

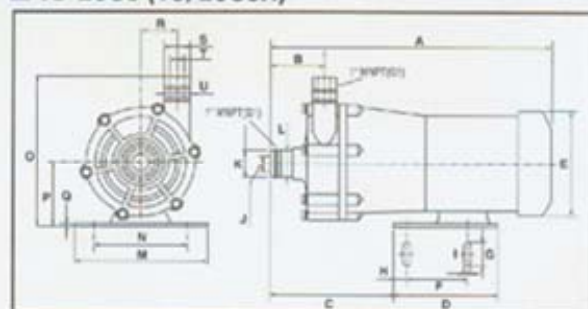


## DIMENSION

### YD-16GS



### YD-20GS (16/20GSH)



Model	A	B	C	D	E	F	G	H	I	J	K	L	M	N	O	P	Q	R	S	T	U	
YD-16GS	12.24 (311)	2.09 (53)	5.87 (149)	2.36 (60)	5.24 (133)	1.57 (40)	0.43 (11)	0.39 (10)	0.28 (7)													
YD-16GSH										0.79 (20)	1.06 (27)	1.02 (26)		5.12 (130)	6.10 (155)	2.56 (65)		1.69 (43)		0.63 (16)		
YD-20GS	13.82 (351)	2.52 (64)	5.79 (147)	3.94 (100)	5.24 (133)	2.76 (70)	1.06 (27)	0.59 (15)	0.35 (9)					4.33 (110)	6.89 (175)	2.95 (75)	0.10 (2.5)	1.73 (44)	1.06 (27)	0.79 (20)	1.02 (26)	
YD-20GSH																						

in. (mm)

NORTH / SOUTH AMERICA



## WORLD CHEMICAL USA, INC.

3510 TORRANCE BLVD., SUITE 103, TORRANCE, CA 90503-4814 U.S.A.  
 TEL: 310-543-9042 • FAX: 310-543-9053

E-mail: [wcsusa@worldchemusa.com](mailto:wcsusa@worldchemusa.com)  
[www.worldchemusa.com](http://www.worldchemusa.com)

**TOLL FREE**  
**1-888-860-3364**

ASIA / EUROPE



## World Chemical Co., Ltd.

4F, HOSHINA BLDG., 2-4-2 AZABUDAI, MINATOKU, TOKYO, 106-0041 JAPAN  
 TEL: 03-3588-1140 • FAX: 03-3588-1141

[www.wcc.co.jp](http://www.wcc.co.jp)

Distributed by: